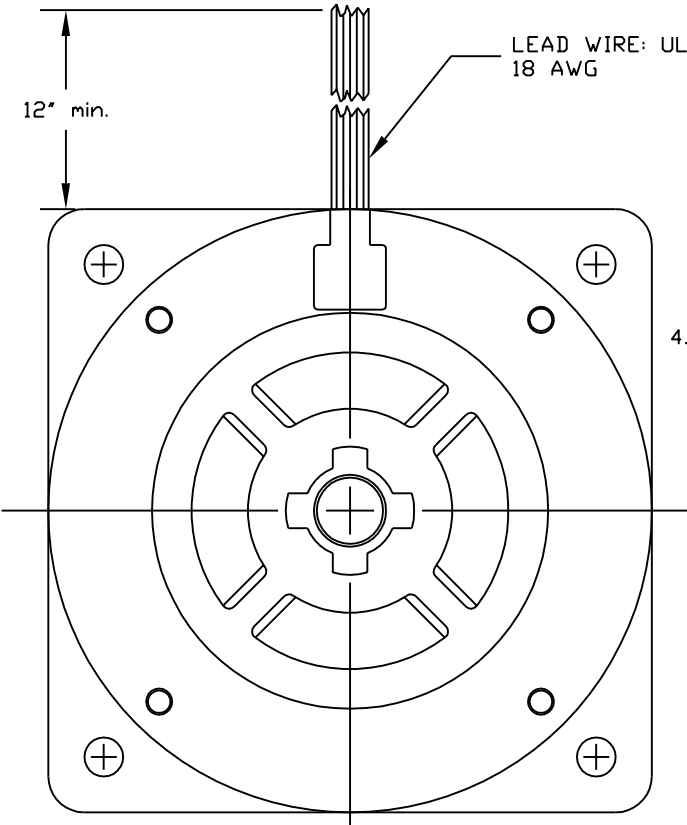
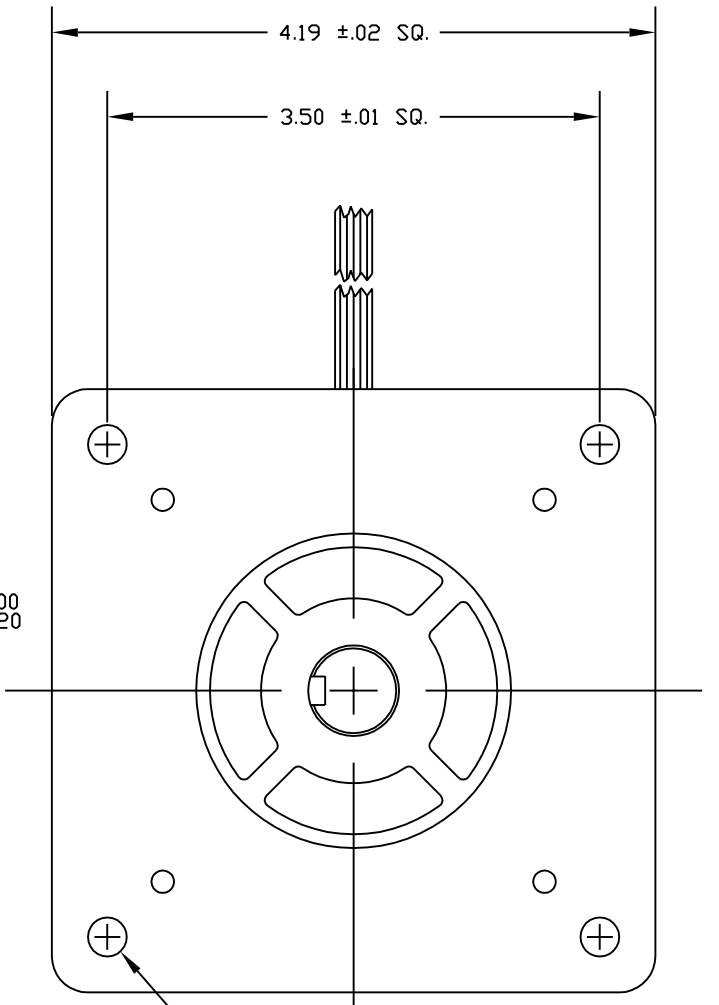
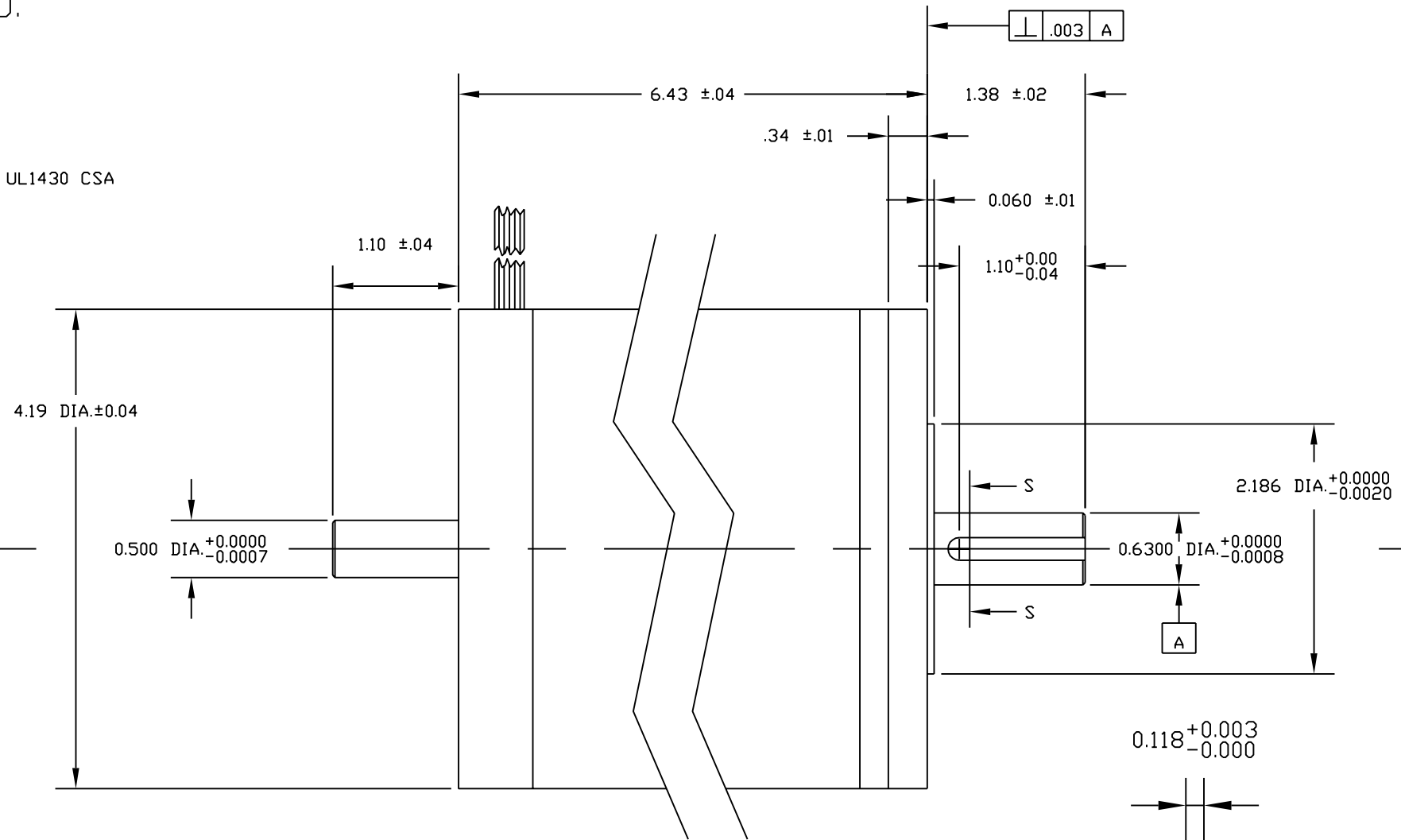


NOTE: USE BELDEN
9552 OR EQU.
TO EXTEND
CABLE.

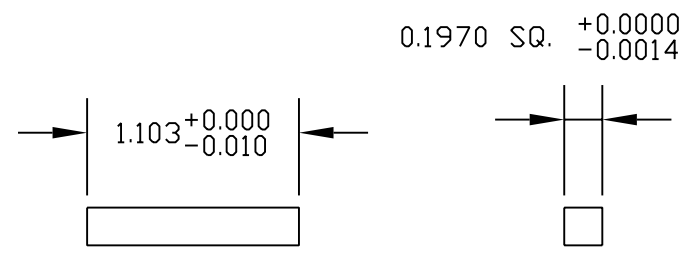


LEAD WIRE: UL1430 CSA
18 AWG



.27 DIA HOLE +0.02
-0.00
4 PLACES

MOUNTING END

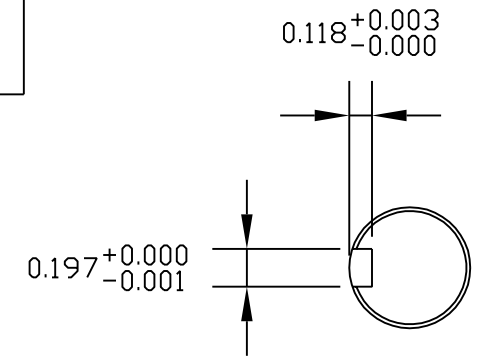


KEY SPECS.

PART#	MOTOR LENGTH (INCHES)	SERIES CURRENT (AMPS)	HOLDING TORQUE OZ-IN	LEADS	STEP ANGLE
SM42-1800D	6.43	6.0	1,869	4	1.8

MOTOR WIRING	
B-	BLUE
B+	ORANGE
A-	YELLOW
A+	RED

FOR CCW ROTATION, REVERSE STEPPER DRIVE B+ AND B- CONNECTIONS.



SECTION S-S