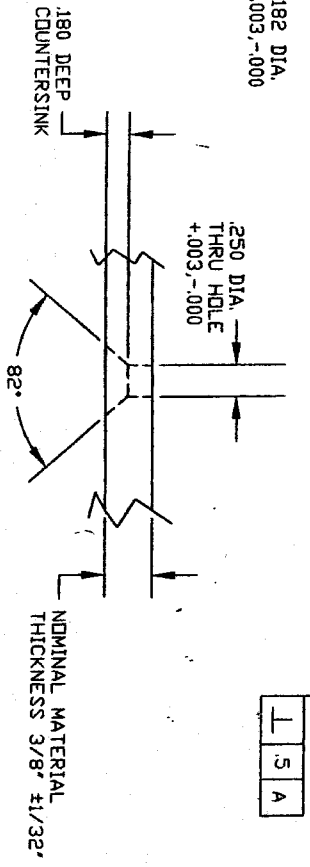


REVISIONS				
LTR	DESCRIPTION	ECN #	DATE	CHKD.
-	RELEASE NEW DWG.		6/14/91	
A	COMPLETE REVISION			
C	ADDED PERP. AND ANG. SPECS.	441	2-17-94	

0.010 A

1.5 A



1/4 - 20 MOUNTING HOLE DETAIL

UNLESS OTHERWISE SPECIFIED DIMENSIONS ARE IN INCHES

TOLERANCES ARE	DECIMALS	ANGLES
FRACTIONS	XX ±.02	±.5°
± 1/32	XX ±.005	

MATERIAL: ALUM. ANGLE
 AMERICAN STANDARD
 6061-T6 4X4X3/8
 FINISH: BLACK ANODIZED MIL 8625 TYPE 2
 DD NOT SCALE DRAWING

APPROVALS	DATE
DRAWN T.M.L.	2-9-94
CHECKED	
APVD	
NEXT ASSEMBLY	
QTY PER	

DRAWING NO		REV
22115600C		C
SCALE 1 TO 1		SHEET 1 OF 1

AMCI Part # TMB-1

HT/HT TRANSDUCER MOUNTING BRACKET
 ADVANCED MICRO CONTROLS, INC.
 PLYMOUTH INDUSTRIAL PARK
 TERRYVILLE, CT 06786