

H25C-FE Specification Sheet

SHEET # 940-2T901

DESCRIPTION

The H25C-FE is an AMCI size 25, flange mount, single turn transducer with an end connector that is a bolt-in replacement for most flange mount optical encoders. This IP67 rated transducer is made from stainless steel and will withstand operating temperatures up to 125°C (257°F). The corrosion resistant construction of the H25C-FE allows it to be used in washdown applications that utilize crossive liquids.

The H25C-FE transducer does not contain components that will degrade in performance or fail when exposed to sudden changes in the environment. Also, with the resolver being a ratiometric device, any absolute variations in the output of the H25C-FE transducers due to aging or changing in voltage, frequency or temperature are ignored. Coupled with the fact that these transducers easily interface to AMCI controllers with an inexpensive six wire cable, the H25C-FE transducer should be your first choice as an accurate and reliable position transducer.

Because the H25C-FE is an absolute sensor, it cannot "lose counts" as an incremental transducer can. If the H25C-FE appears to be losing counts while operating, the usual cause is a shaft slipping in a loose coupler.

SPECIFICATIONS

ELECTRICAL

Input Voltage: 7.0 V_{RMS}
Input Freq: 5000 Hz
Primary: Rotor
Input Current: 20.0 mA_{RMS} Max.
Output Voltage: 6.65 V_{RMS} Nom.
Trans. Ratio (TR): 0.95 ± 5%
Accuracy: ± 12 min. (max error)

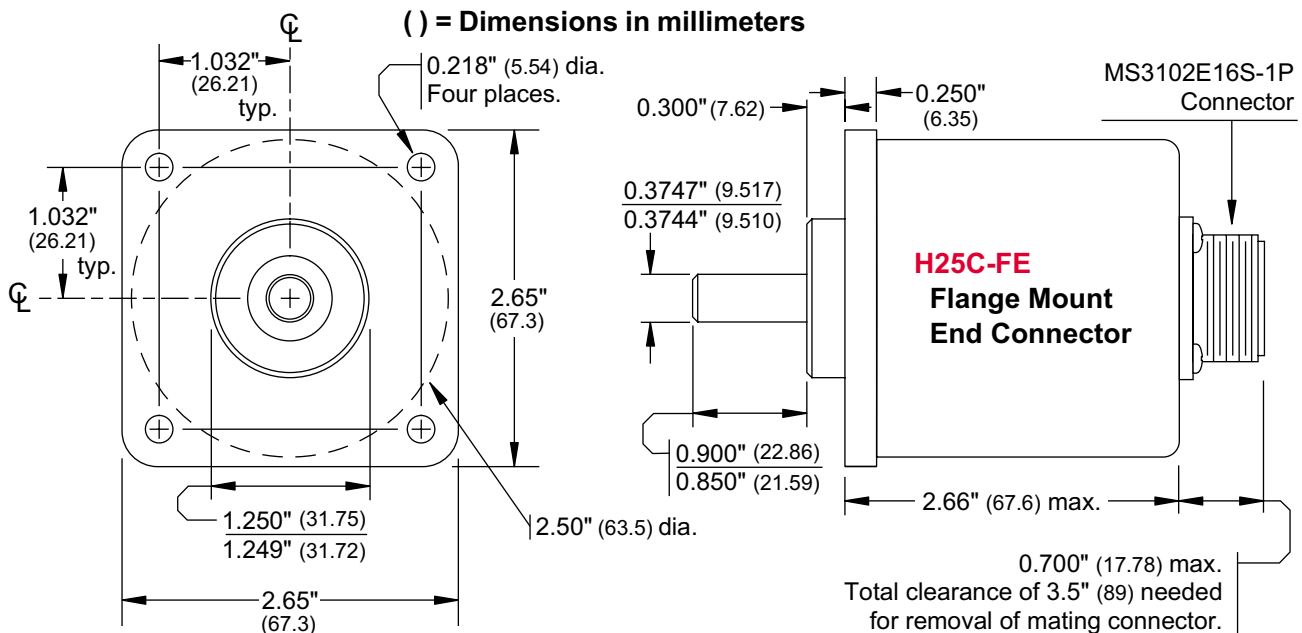
MECHANICAL

Shaft Loading: Radial: 40 lbs. max†.
Axial: 20 lbs. max†.
Starting Torque: 2.0 oz.in. @ 25°C
Moment of Inertia: 6.00X10⁻⁴ oz-in-sec² max.
Weight: 3.5 lbs.
† Bearing life rated at 2X10⁹ revolutions min. at maximum shaft load.

ENVIRONMENTAL

Operating Temp: -40 to 125°C (-40 to 257°F)
Enclosure: IP 67
304 Stainless Steel Body
303 Stainless Steel Shaft
Viton Shaft Seal

DIMENSIONAL DRAWING

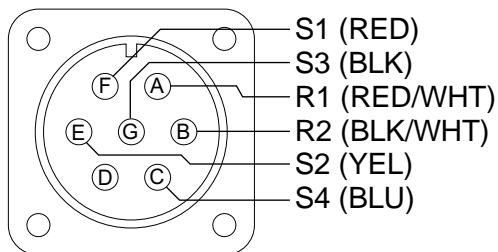


H25C-FE Specification Sheet

CONNECTOR PINOUT

The figure below shows the connector pinout to industry standard designations and wire colors. Mating connectors available from AMCI are also given.

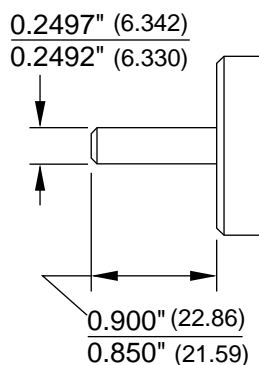
BENDIX CONNECTOR: MS3102E16S-1P



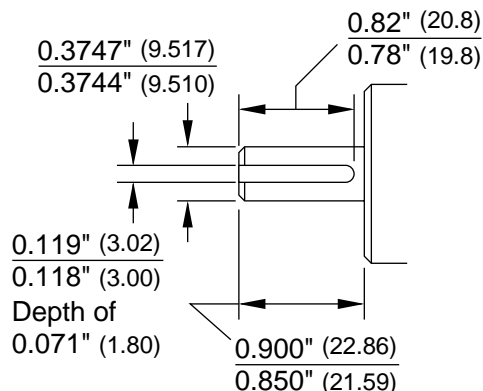
Female Mating Connector	AMCI Part #
MS3106A16S-1S STRAIGHT	MS-16
MS3108A16S-1S RT. ANGLE	MS-18
MS3106F16S-1S WATERTIGHT	MS-161

ALTERNATE SHAFT DETAIL

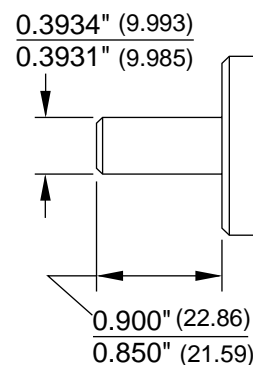
-03 Shaft



-06 Shaft



-10 Shaft



FOR MORE INFORMATION

If you need more information on the H25C-FE use these three resources:

- * If you have internet access, check our website at <http://www.amci.com>. We've worked hard to make our site the repository of information you need to specify and use AMCI products. New product news, product specifications, compatibility tables, application notes, and PDF manuals are all available 24 hours a day.
- * You can also call AMCI for sales or technical support at (860) 585-1254 from 8AM to 5PM EST, Monday through Friday. An applications engineer will be available to assist you.
- * Finally, you can e-mail us at sales@amci.com or techsupport@amci.com.