

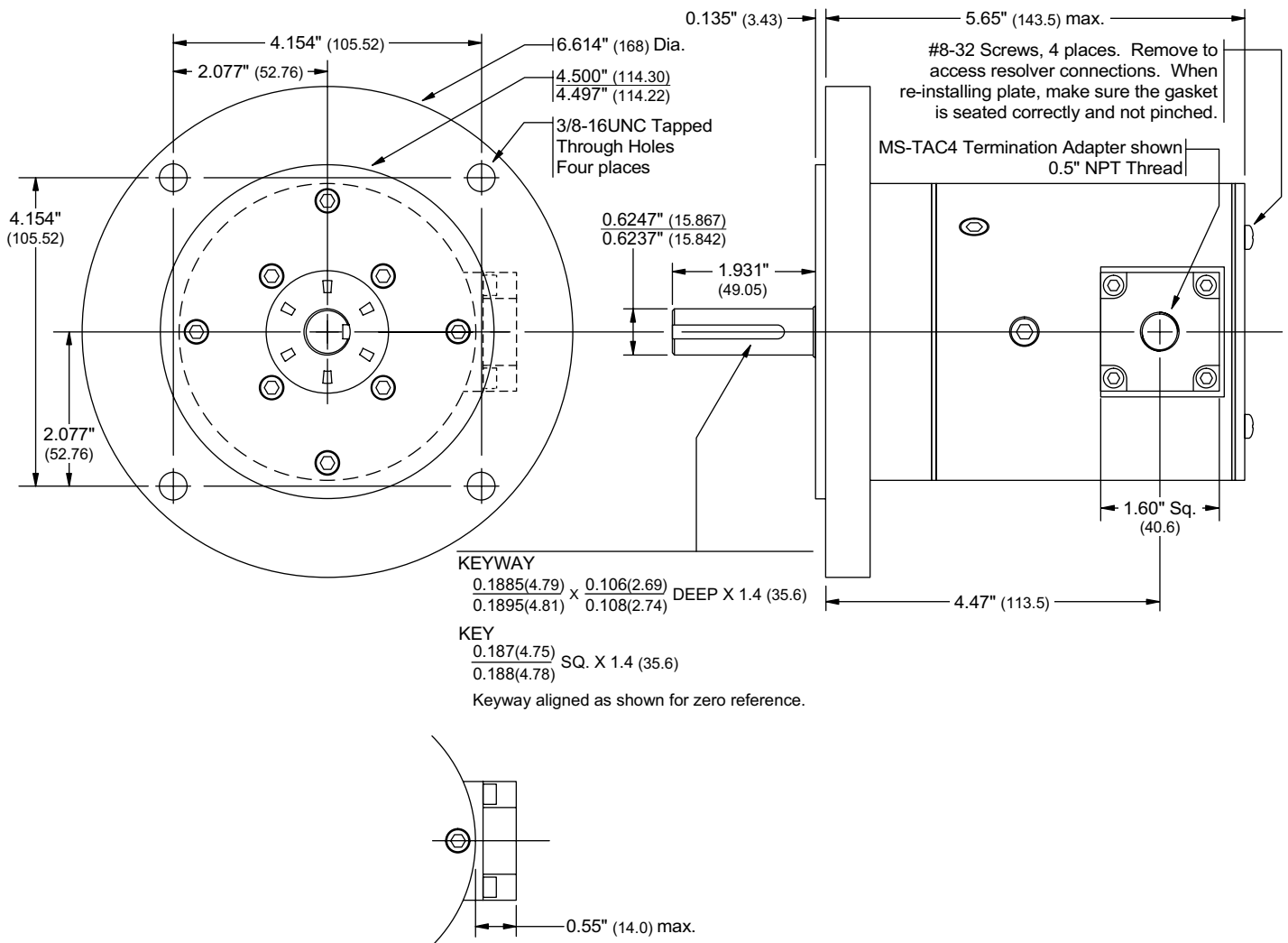
HT-400-M1C4 Specification Sheet

SHEET # 940-2T830

DESCRIPTION

Many older installations use a NEMA 56C face mounted encoder or tachogenerator like the GE BC-42 and BC-46 or Reliance RE-210 for position or speed feedback. Upgrading these installations is easy with an AMCI brushless resolver transducer. The HT-400-M1C4 single turn transducers are absolute sensors that have a standard NEMA 56C face mounting pattern and 1/2 inch conduit fitting. Their IP67 rating means these transducers are ready for the harshes industrial environments. The HT-400-M1C4 transducers can be ordered with a variety of resolvers to match your control system requirements. See page 2 of this spec sheet for a complete part number breakdown.

DIMENSIONAL DRAWING



() = Dimensions in millimeters

HT-400-M1C4 Specification Sheet

SPECIFICATIONS

Mechanical

Shaft Loading: Radial: 100 lbs. max.
Axial: 50 lbs. max.

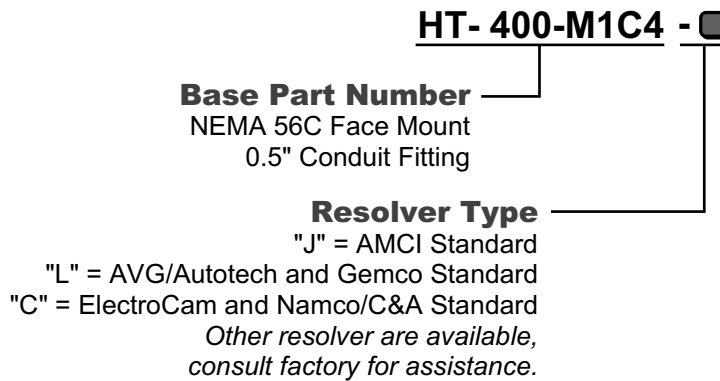
*Bearing life rated at 2X10⁹ revolutions
minimum at specified shaft load.*

Starting Torque: 8 oz.in. @ 25°C
Moment of Inertia: 8.75 oz-in-sec² max.
Weight: 8.0 lbs

Environmental

Shock: 50 g's for 11 milliseconds
Vibration: 15 g's to 2000 Hz
Operating Temp: -20 to 125°C
Enclosure: IP67 when conduit properly sealed.
Anodized Aluminum body
303 Stainless Steel Shaft
Nitrile Shaft Seal

PART NUMBERING SYSTEM



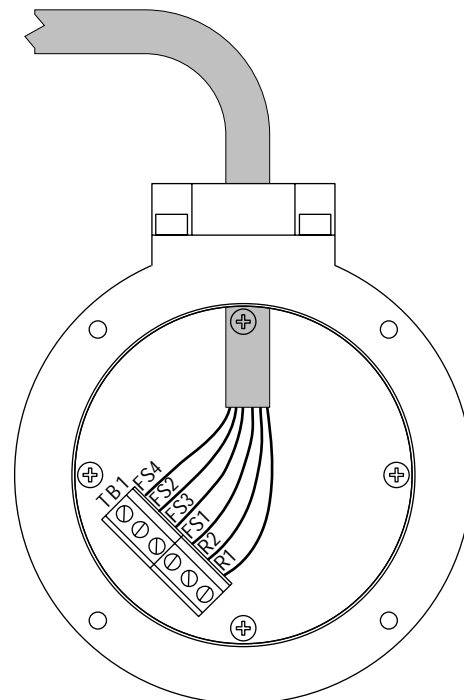
WIRING

When wiring to the HTT-400-M1C4, start by removing the back plate of the transducer. Feed your cable through the conduit fitting and wire your cable to the transducer's terminal block.

The internal terminal block is labeled with the resolver designations. The table below gives resolver designations to the standard wire colors used by AMCI. (Belden 9783 or equ.)

Terminal	Wire Color
R1	Black/Red*
R2	Red
FS1	White
FS2	Black/Green*
FS3	Black/White*
FS4	Green

* Black/"color" refers to the Black wire of the Black/"color" pair.



HTT-400
(Rear Cover Removed)