

Overview

The AMCI NX2E4X, where the second “X” indicates the network type, is a stand alone unit that is used to connect up to four SSI sensors to a network. The available networks, along with the corresponding AMCI part number are shown in the following table.

Network	Part Number
DeviceNet	NX2E4D
Ethernet	NX2E4E
Profibus	NX2E4P
Modbus TCP/IP	NX2E4T

The NX2E4C ControlNet SSI interface is not covered by this manual. It has its own separate manual that is available on the following page of our website

<https://www.amci.com/industrial-automation-support/user-manuals/>

The NX2E4X uses twenty-eight 16 bit input words and thirty-three 16 bit output words to communicate with the network.

Sample programs for this and other AMCI products are available from the following page of our website.

<https://www.amci.com/industrial-automation-support/sample-programs/>

Table of Contents

General Information		3
Installation	Chapter 1	4
	Hardware Overview	4
	Specifications	6
	Mounting	7
	Wiring	10
	SSI Protocol	10
Programmable Parameters	Chapter 2	11
	SSI Clock Frequency	11
	Number of SSI Data Bits	11
	Most Significant Bit	11
	Number of Clock Bits	11
	Data Type (binary or gray code)	11
	Data Logic	11
	Scalar Multiplier and Divisor	12
	Determining Multiplier and Divisor	12
	Preset Value	13
	Apply Preset	13
	Count Direction	14
	Rate Update Time	14
	LED Enable	14
Input Registers	Chapter 3	15
	Status Word / Status Bits	16
Output Registers	Chapter 4	17
	Control Word	18
	Configuration Word	18
	Programming Sequence	19
	EEPROM Memory	19
Network Configurations	Chapter 5	20
	NX2A4D DeviceNet	20
	NX2A4E Ethernet IP	22
	NX2A4P Profibus	24
	Siemens S7	25
	NX2A4T Modbus TCP/IP	27
Setting IP Address	Chapter 6	30
Revision History	Chapter 7	32

General Information

Important User Information

The products and application data described in this manual are useful in a variety of different applications. Therefore, the user and others responsible for applying these products described herein are responsible for determining the acceptability for each application. While efforts have been made to provide accurate information within this manual, AMCI assumes no responsibility for the application or the completeness of the information contained herein. Throughout this manual the following two notices are used to highlight important points.

WARNINGS tell you when people may be hurt or equipment may be damaged if the procedure is not followed properly.

CAUTIONS tell you when equipment may be damaged if the procedure is not followed properly. No patent liability is assumed by AMCI, with respect to use of information, circuits, equipment, or software described in this manual. The information contained within this manual is subject to change without notice. UNDER NO CIRCUMSTANCES WILL ADVANCED MICRO CONTROLS, INC. BE RESPONSIBLE OR LIABLE FOR ANY DAMAGES OR LOSSES, INCLUDING INDIRECT OR CONSEQUENTIAL DAMAGES OR LOSSES, ARISING FROM THE USE OF ANY INFORMATION CONTAINED WITHIN THIS MANUAL, OR THE USE OF ANY PRODUCTS OR SERVICES REFERENCED HEREIN.

Standard Warranty

ADVANCED MICRO CONTROLS, INC. warrants that all equipment manufactured by it will be free from defects, under normal use, in materials and workmanship for a period of [18] months. Within this warranty period, AMCI shall, at its option, repair or replace, free of charge, any equipment covered by this warranty which is returned, shipping charges prepaid, within 18 months from date of invoice, and which upon examination proves to be defective in material or workmanship and not caused by accident, misuse, neglect, alteration, improper installation or improper testing. The provisions of the “STANDARD WARRANTY” are the sole obligations of AMCI and excludes all other warranties expressed or implied. In no event shall AMCI be liable for incidental or consequential damages or for delay in performance of this warranty.

Returns Policy

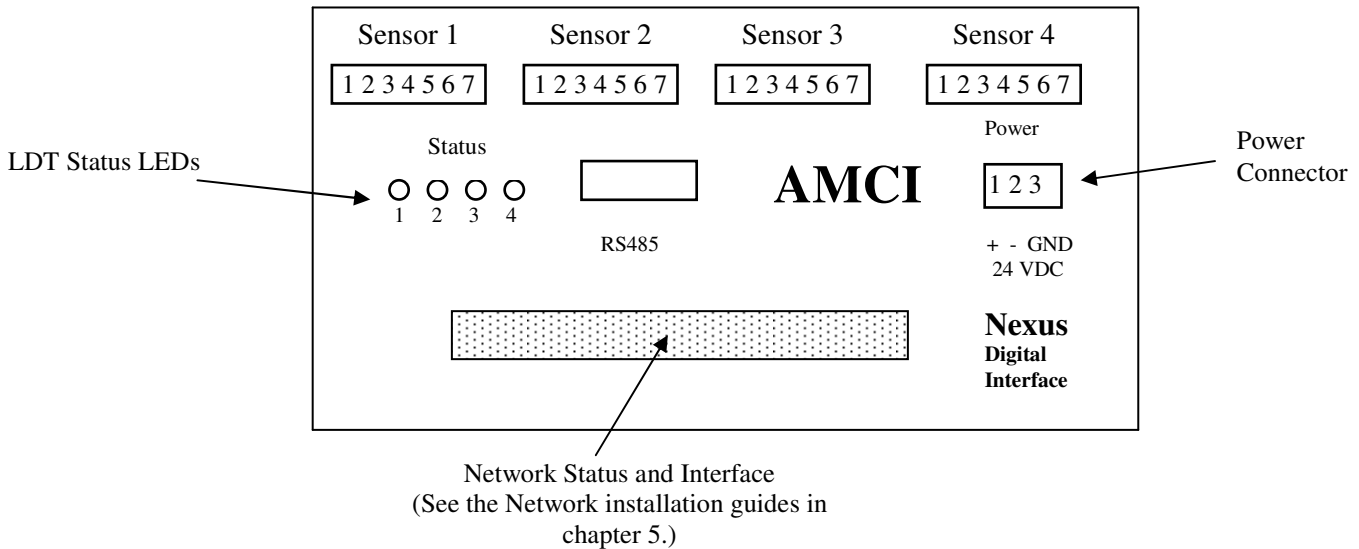
All equipment being returned to AMCI for repair or replacement, regardless of warranty status, must have a Return Merchandise Authorization number issued by AMCI. Call (860) 585-1254 with the model and serial numbers along with a description of the problem. A “RMA” number will be issued. Equipment must be shipped to AMCI with transportation charges prepaid. Title and risk of loss or damage remains with the customer until shipment is received by AMCI.

24 Hour Technical Support Number

Technical Support, in the form of documents, FAQs, and sample programs, is available from our website, www.amci.com. 24 Hour technical support is also available on this product. For technical support, call (860) 585-1254. Your call will be answered by the factory during regular business hours, Monday through Friday, 8AM - 5PM EST. During non-business hours, an automated system will ask you to leave a detailed message and the telephone number that you can be reached at. The system will page an engineer on call. Please have your product model number and a description of the problem ready before you call.

Chapter 1: Installation

NX2E4X Hardware Overview



Status LEDs

Function	LED Pattern
LED Enabled	solid green
Module Fault	solid red

It is possible to enable or disable the LEDs when programming the Nexus module. The default LED function has only status LED 1 enabled. The NX2E4X status LED's do not indicate any problem with the sensor or with the connections to the sensor.

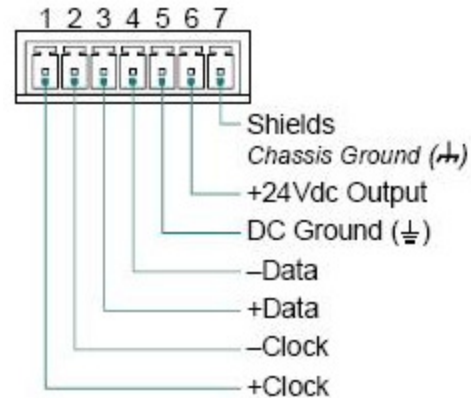
Power Connector

Pin	Function
1	+24Vdc
2	DC Common
3	Shields

The NX2E4X requires 0.5A of current @24Vdc to operate. If the sensor is being powered from the Nexus unit, add its power requirements to those of the Nexus.

Sensor Connectors

The Sensor Input Connectors, labeled “SENSOR 1” through “SENSOR 4” have seven contacts. The mating connectors are supplied with the NX2E4X. The AMCI part number for the mating connector is MS-7P, while the Phoenix Contact part number is MC1,5/7-ST-3,81, order number 1803620.



The +24Vdc Output pin, (#6), is directly connected to the +24Vdc pin on the Power connector of the NX2E4X. If your SSI sensor uses +24Vdc as its power source, then you can use this pin to power the sensor. **DO NOT APPLY +24Vdc TO THIS PIN.** Doing so will damage the NX2E4X and possibly your power supply.

Module Specifications**Throughput Time**

192 μ s minimum, 468 μ s maximum. The rate at which data is updated to the network is also dependent on how often the sensor updates its data, and the network update time.

Data I/O Words

Requires a maximum of 28 input and 33 output words.

Compatible Transducers

Any transducer that outputs data in single word SSI format. Number of bits transferred is programmable from 1 to 32. Multi-word transfers are not supported.

Number of Transducer Inputs

Four

Transducer Input Isolation

Optically Isolated (1,500 Vac)

Programmable Parameters

SSI Clock Frequency	MSB Number	Scalar Multiplier	Count Direction
Number of SSI Bits	Data Type	Scalar Divisor	Rate Update Time
Number of Data Bits	Data Logic	Preset Value	LED Disable

Data Value (position) Range

\pm 268,435,455 counts max.

Data Value (position) Preset

Data Value can be preset to any value within the position range.

Rate of Change (velocity) Range

\pm 268,435,455 counts per second max.

Rate of Change (velocity) Resolution

Determined by, and identical to, the Data Value resolution.

Program Memory

EEPROM. Rated for 100,000 write cycles

Data Available to Network

Data Value, Rate of Change, status bits, and Actual SSI data.

NX2E4X Mounting

DIN rail or panel mount. Kit included with unit that allows customer to change mounting styles. DIN channel, not supplied with the NX2E4X, can be EN 50 002 or EN 50 035.

Environmental Conditions

Operating Temperature: 0 to 60 $^{\circ}$ C

Relative Humidity 5 to 95% (without condensation)

Storage Temperature: -40 to 85 $^{\circ}$ C

NEMA Rating

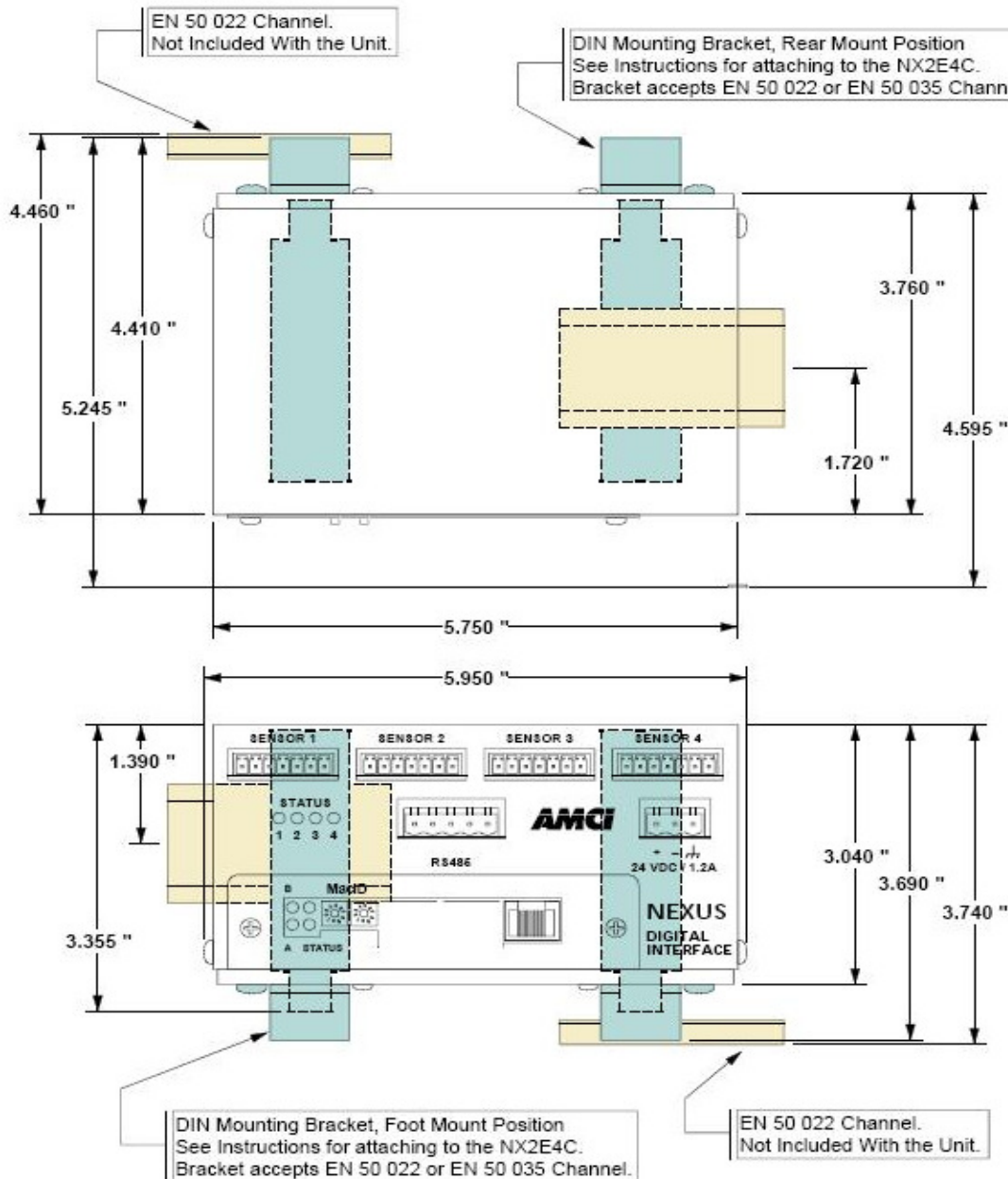
NEMA 1. Must be mounted in a suitable enclosure to protect it from airborne and liquid contaminants.

Mounting the NX2E4X

The next two pages show the NX2E4X in its DIN rail and panel mount configurations. The mounting kit, included with the unit, contains two DIN brackets, two panel brackets, and four #8 screws needed to attach your choice of brackets to the NX2E4X. Note that the unit is not sealed and the NX2E4X must be installed in an adequate enclosure to protect it from environmental contaminants.

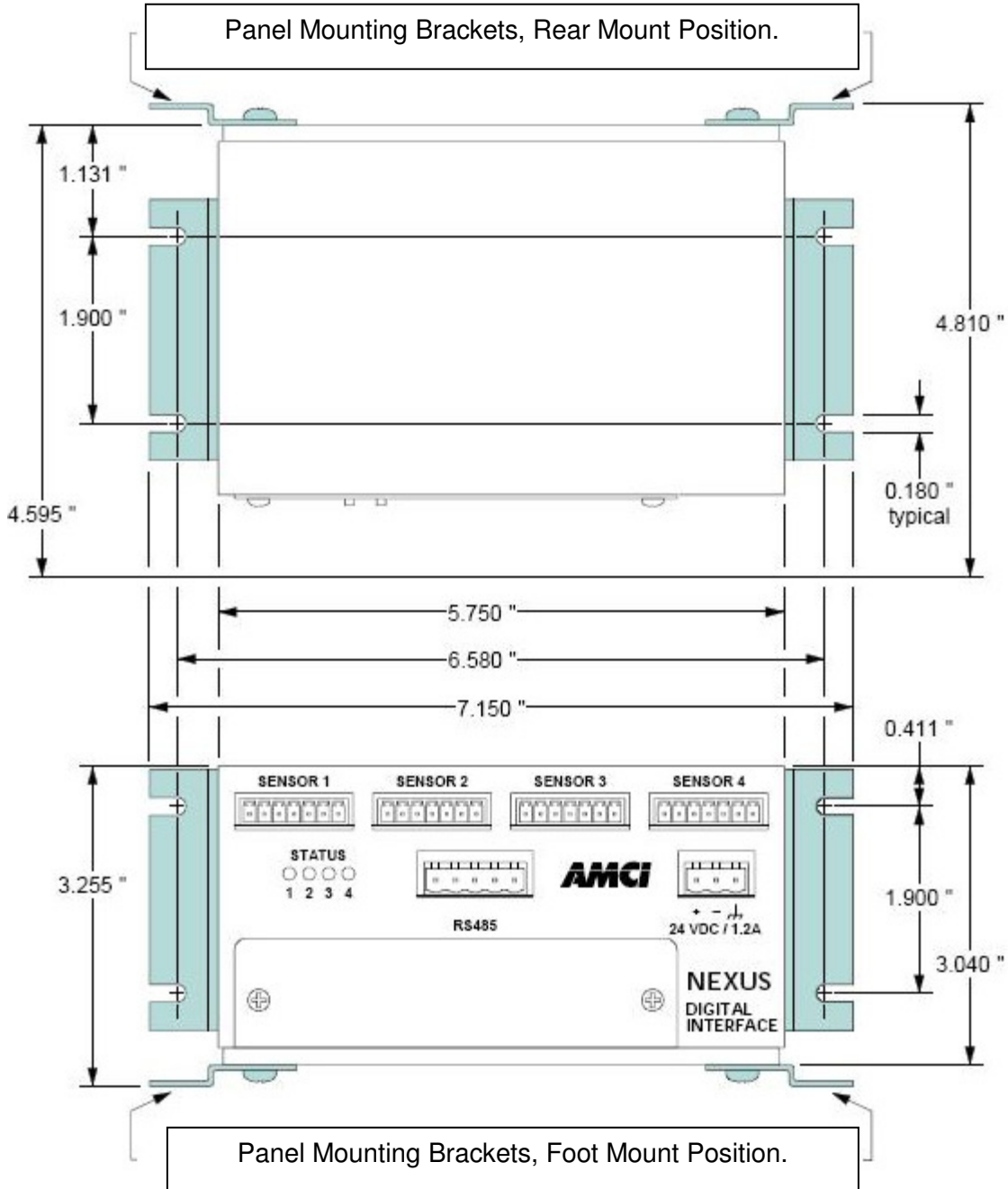
DIN Rail Mounting

As shown in the following figure, the unit can be DIN rail mounted in two ways. The brackets accept EN 50 002 or EN 50 035 channel. Note that DIN channel is not included with the NX2E4X.



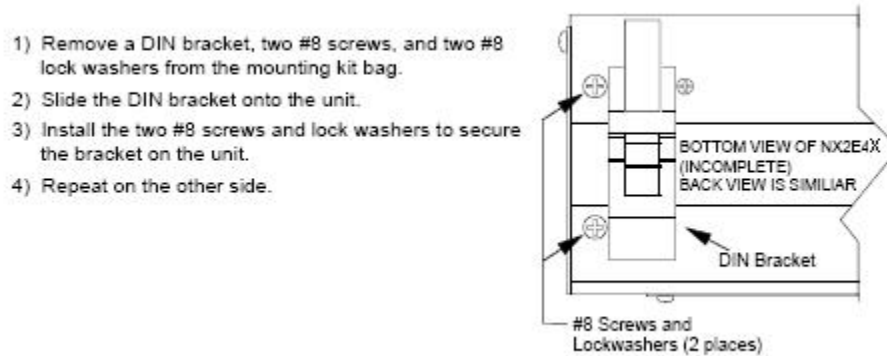
Panel Mounting

As shown in the figure below, the NX2E4X can be panel mounted in two ways. The mounting kit, included with the unit, contains the two panel brackets and four #8 screws needed to attach the brackets. The slots in the brackets for mounting the unit to the panel are made to accept #8 screws or bolts. The lengths of these screws or bolts depends on your application, and are not included with the unit.



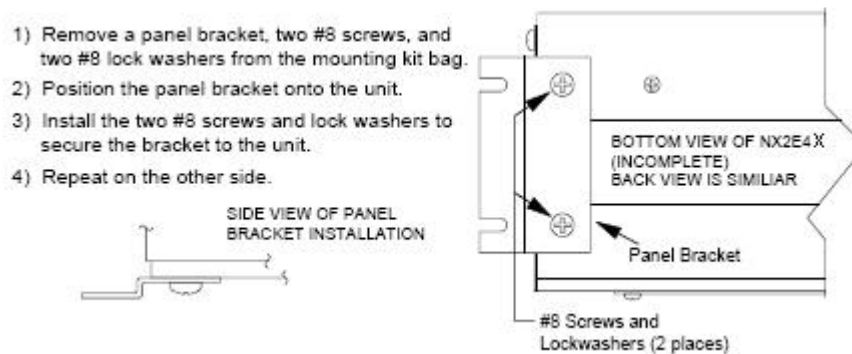
Attaching the DIN Brackets

The following figure shows how to install the DIN brackets so that the NX2E4X can be mounted on EN 50 022 or EN 50 035 rail. Note that the bottom view of the unit is shown. The rear view is similar and the brackets are installed in the same fashion.



Attaching the Panel Brackets

The following figure shows how to install the panel brackets so that the NX2E4X can be securely mounted to an enclosure. Note that the bottom view of the unit is shown. The rear view is similar and the brackets are installed in the same fashion.



Transducer Mounting

Follow the mounting instruction you received with your SSI transducer.

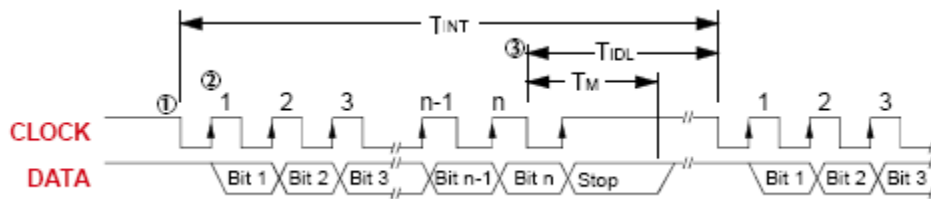
Transducer Cable Installation

Follow the transducer manufacturers suggestions when specifying the transducer cable. Pre-assembled and tested cables are usually offered by the manufacturer. When installing the transducer cable, follow these general guidelines.

- SSI signals are low voltage, low power signals. SSI cables must use shielded cable and can be installed in conduit along with other low power cabling such as communication cables and low power ac/dc I/O lines. They cannot be installed in conduit with ac power lines or high power ac/dc I/O lines. Most factory automation manufacturers offer excellent written guidelines for cabling installation that you can refer to for additional information..
- *The shields of the transducer cable must be grounded at one point only!* When installing the cable, treat the shield as a signal carrying conductor and do not connect the shield to ground at any junction box.
 - 1) If you are making your own transducer cable, ground the shields at the NX2E4X by connecting them to the Shields pin (#7) of the Sensor Input Connector. Do not connect the shields to the body of the transducer.
 - 2) If you are using a pre-made cable, or the SSI transducer has an integral cable, verify that the shields are electrically isolated from the body of the transducer. If they are connected, then properly ground the body of the transducer and *DO NOT* connect the shields to Shields pin (#7) of the Sensor Input Connector. The preferred grounding connection for the transducers' shields is at the NX2E4X. Use this point unless the shields are connected to the body of the transducer through a pre-made or integral cable. Following this practice will eliminate ground loops that could damage the transducer or NX2E4X.

SSI Protocol

The following figure shows how a NX2E4X reads data from a SSI transducer. Note that the formal SSI definition allows for twenty-four bits of data and a twenty-fifth stop bit. However, AMCI is aware of some transducers that transmit more or less than twenty-five bits. To accommodate these transducers, the NX2E4X can be programmed to accept up to thirty-two bits in the SSI bit stream.



“n” = Number of bits in the SSI data. Range of 1 to 32. Default of 24.

1. The first falling edge of the clock signal latches the SSI data. Note: Some transducers latch the data at the end of the previous interrogation.
2. The next “n” rising edges of the clock shift out the “n” data bits.
3. T_{INT} is the time between interrogations and is equal to 500μS for the NX2E4X. T_M is the time that the Stop bit is valid, which is typically 12 to 20 μS. T_{IDL} is the time between the end of the last interrogation and the start of the next and is fixed at 120μS. The transducer must have new data available within the T_{IDL} Time period if the system is to work properly.

Chapter 2: Programmable Parameters

The NX2E4X is configured by programming its Programmable Parameters. These parameters are broken down into two groups, SSI Setup parameters and Data Setup parameters.

SSI Setup Parameters:

These parameters are used to extract the SSI Data Value from the bit stream. These parameters define the clock speed of the data transfer, the number of clock bits, the position and length of the SSI data within the bit stream, and the format of the data.

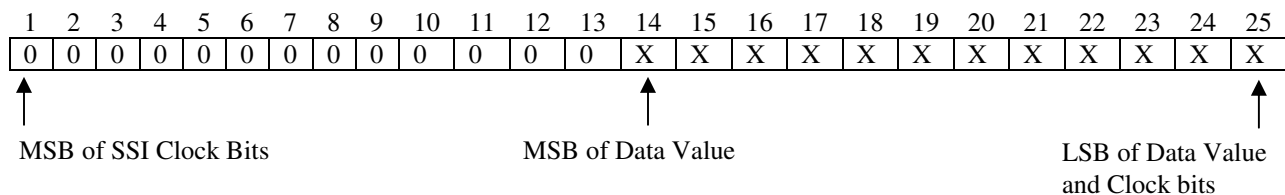
SSI Clock Frequency: This parameter allows you to set the SSI clock frequency to one of four values; 125kHz, 250kHz, 500kHz, or 1.0MHz. The default value of 125kHz value will work in all applications. Your sensor's user manual should contain information on what SSI Clock Frequency is appropriate for both the sensor and the type and length of cable used.

Number of SSI Data Bits: This parameter defines how many bits of the data stream make up the Data Value. This parameter has a range of 1 to 28 and a default of value of 24.

Most Significant Bit (MSB) Number: This parameter defines the bit location of the first bit of the Data Value in the data bit stream. This parameter has a range of 1 to 32 and a default value of 1.

Number of SSI Clock Bits: This value sets the number of bits that the NX2E4X will read from the SSI transducer per interrogation. This parameter has a range of 1 to 32 and must be greater than or equal to $(\text{Most Significant Bit Number} + (\text{Number of SSI Data Bits} - 1))$. The default value of 24 bits will work in most applications.

Example: You have a 12 bit single turn SSI encoder that outputs 25 SSI Clock bits. The single turn value is located in the least significant bits of the SSI data.



In this example, the NX2E4X module would be setup using the following data.

Number of SSI Clock Bits = 25

Most Significant Bit number = 14

Number of SSI Data Bits = 12

Data Type: This parameter tells the NX2E4X module to interpret the SSI data either as a binary number or as a gray code number. The default value is binary.



WARNING

You must read all of the data bits from a Gray Code sensor. The data value will appear to count up and down if you use the MSB Number and Number of Data Bit parameters to read only some of the data bits.

Data Logic: This parameter is included to handle situations where the SSI data is reported with negative logic. If this parameter is set, the NX2E4X will invert the data bits before performing any scaling and decoding operations. When left in its default value of positive, the NX2E4X module will use the SSI data as it is from the sensor.

Data Setup Parameters:

Once the NX2E4X module has extracted the SSI data from the data stream, it uses the Data Setup Parameters to convert the raw SSI data into the Data Value it reports to the PLC.

Scalar Multiplier & Divisor: These two parameters are used to scale the SSI data. Both parameters have a default value of one and can range in value from 1 to 32,767. The Scalar Multiplier must be less than or equal to the Scalar Divisor. In other words, the ratio of Multiplier to Divisor CANNOT be greater than one.

Linear displacement transducers from Balluff and MTS have resolutions measured in $\mu\text{m}/\text{count}$. The NX2E4X module can easily convert this data into the more familiar US Customary system of inches. The table below shows the Multiplier and Divisor values needed to convert from various metric resolutions to US Customary resolutions. For example, to convert data from a LDT sensor with $5\mu\text{m}/\text{count}$ resolution to $0.0005 \text{ inch}/\text{count}$ resolution, use a Multiplier of 50 and a Divisor of 127.

LDT Resolution	Desired Resolution						
	0.00005"	0.0001"	0.0002"	0.0005"	0.001"	0.002"	0.005"
1 μm	$\frac{100}{127}$	$\frac{50}{127}$	$\frac{25}{127}$	$\frac{10}{127}$	$\frac{5}{127}$	$\frac{5}{254}$	$\frac{1}{127}$
2 μm		$\frac{100}{127}$	$\frac{50}{127}$	$\frac{20}{127}$	$\frac{10}{127}$	$\frac{5}{127}$	$\frac{2}{127}$
5 μm			$\frac{125}{127}$	$\frac{50}{127}$	$\frac{25}{127}$	$\frac{25}{254}$	$\frac{5}{127}$
10 μm				$\frac{100}{127}$	$\frac{50}{127}$	$\frac{25}{127}$	$\frac{10}{127}$
20 μm					$\frac{100}{127}$	$\frac{50}{127}$	$\frac{20}{127}$
40 μm						$\frac{100}{127}$	$\frac{40}{127}$

Use the following procedure to calculate your Scalar Multiplier and Divisor values if either your LDT Resolution or Desired Resolution does not appear in the above table.

Conversion Factor:
$$\frac{\text{Desired Resolution (counts/inch)}}{\text{LDT Resolution (counts/inch)}}$$

Step 1: Convert your LDT resolution from μm to inches. For example, you are using a sensor with 1 μm resolution.

$$1 \mu\text{m} * \frac{1\text{mm}}{1000 \mu\text{m}} * \frac{1 \text{ inch}}{25.4 \text{ mm}} = 0.00003937 \text{ inches/count} = 25400 \text{ counts/inch}$$

Step 2: Determine the number of counts per inch for the desired resolution. For example, if you want to measure with 0.0001 inch resolution,

$$0.0001 \text{ inch/count} = 10000 \text{ counts/inch}$$

Step 3: Determine the Scalar Multiplier and Divisor values.

$$\frac{\text{Desired Resolution (counts/inch)}}{\text{LDT Resolution (counts/inch)}} = \frac{10000 \text{ counts/inch}}{25400 \text{ counts/inch}} = \frac{100}{254} = \frac{50}{127}$$

Therefore, to use a sensor with 1mm resolution and get 0.0001 inches per count resolution, use a Scalar Multiplier of 50 and a Scalar Divisor of 127.

Preset Value: The zero position of the SSI encoder's Data Value may not match the zero position of your machine. The Preset Value parameter gives you the ability to offset the Data Value from the actual SSI data to a value that will be more useful for your application.

Programming the Preset Value parameter does not change the Data Value. The Preset Value is stored in the NX2E4X module's memory until the module sees the Apply Preset bit during a programming cycle.

Apply Preset: Offsetting the Data Value to the Preset Value is a two step operation. First, the Preset Value, which is part of channel's setup data, must be saved in the module's memory. Second, setting the Apply Preset bit will change the Data Value to the Preset Value. These two operations **MUST** be performed separately. It is **NOT** possible to both program the Preset Value and Apply the Preset in one programming cycle.

Setting the Apply Preset bit causes the module to generate an internal offset value that is applied to the Data Value before it is reported to the PLC. This internal offset is saved in the NX2E4X module's memory, so it is not necessary to home the module at every power up.



The NX2E4X EEPROM memory is guaranteed for 100,000 write cycles before writing to it will cause it to fault. Therefore continuously Applying the Preset should be avoided. If your application requires you to continuously Apply the Preset, consider calculating and Applying the Preset in your PLC program



Programming the NX2E4X's setup parameters will reset the internal offset generated by an Apply Preset operation. If you are programming the unit's setup parameter at every power up, this may cause your data value to not be absolute through power down.

Count Direction: This parameter is useful if your Data Value represents a linear position. It gives you the ability to reverse the direction of motion needed to increase the position count. For simplicity's sake, the two values for this parameter are called *Positive Direction* and *Negative Direction*. When this parameter is set to its default of *Positive*, the Data Value is not changed. When this parameter is set to *Negative*, the Data Value is multiplied by -1 before it is reported. For linear transducers, this has the effect of reversing the direction of motion needed to increase the count. When using LDT's and the Count Direction is set to *Positive*, the Data Value usually increases as the magnet moves away from the head of the LDT. When the Count Direction is set to *Negative*, the Data Value increases as the magnet moves towards the head of the LDT.

You will need to Apply the Preset the Data Value after you program the Count Direction parameter.

If your Data Value represents a rotary position, you cannot change the count direction with this parameter. However, you can easily reverse the count direction with ladder logic. This can easily be accomplished with two rungs of logic.

- Rung 1:** If the data value is equal to zero, simply copy the current data value into your reversed count direction register. The zero point is the same for both directions of rotation.
- Rung 2:** If the data value is not equal to zero, subtract the current data value from the maximum value that your rotary encoder will output.

Rate Update Time: The Velocity Update Time parameter sets the amount of time between Rate of Change information updates to the PLC. Its can be set to either 24 milliseconds or 160 milliseconds, with 160 milliseconds being the default. Decrease the time between updates for faster response to changes in this value. Increase the time between updates for better averaging of this value.

The Velocity data is measured in Counts/Second.

LED Enable: This parameter gives you the ability to enable or disable the *Unit Status LED* of the corresponding Sensor Input Channel. When disabled, the LED is always off and does not show the status of the NX2E4E. The channel will continue to function, regardless of the state of the LED.

Chapter 3: Input Data (Data sent from the NX2E4X to the network)

The NX2E4X reports Status information, Data Values, Velocity Values, and Actual SSI Data to the network using twenty-eight 16 bit words. The following table shows the layout of these words.

Channel	Word	Function	Units
1	0	Channel 1 Status	
	1	Upper 4 digits Channel 1 data value	Scaled Counts
	2	Lower 4 digits Channel 1 data value	
	3	Upper 4 digits Channel 1 velocity	Counts / Second
	4	Lower 4 digits Channel 1 velocity	
	5	Upper 16 bits Channel 1 Actual SSI Data	
	6	Lower 16 bits Channel 1 Actual SSI Data	
2	7	Channel 2 Status	
	8	Upper 4 digits Channel 2 data value	Scaled Counts
	9	Lower 4 digits Channel 2 data value	
	10	Upper 4 digits Channel 2 velocity	Counts / Second
	11	Lower 4 digits Channel 2 velocity	
	12	Upper 16 bits Channel 2 Actual SSI Data	
	13	Lower 16 bits Channel 2 Actual SSI Data	
3	14	Channel 3 Status	
	15	Upper 4 digits Channel 3 data value	Scaled Counts
	16	Lower 4 digits Channel 3 data value	
	17	Upper 4 digits Channel 3 velocity	Counts / Second
	18	Lower 4 digits Channel 3 velocity	
	19	Upper 16 bits Channel 3 Actual SSI Data	
	20	Lower 16 bits Channel 3 Actual SSI Data	
4	21	Channel 4 Status	
	22	Upper 4 digits Channel 4 data value	Scaled Counts
	23	Lower 4 digits Channel 4 data value	
	24	Upper 4 digits Channel 4 velocity	Counts / Second
	25	Lower 4 digits Channel 4 velocity	
	26	Upper 16 bits Channel 4 Actual SSI Data	
	27	Lower 16 bits Channel 4 Actual SSI Data	

Note 1: The *data and the velocity values* are divided into two words. The upper word contains the 10,000s places while the lower word contains the 1000s, 100s, 10s, and 1s places. For example, a value of 123,456 would have 12 in the upper word and 3456 in the lower word. To combine the two values into one register, multiply the upper word by 10,000 and add the lower word to it.

There is also a Data Value Sign bit in the Channel Status words. When this bit is set, the data value is negative. You can take the state of this bit into account by multiplying your combined data value by -1 whenever this bit is set

Note 2: The Actual SSI Data is the unmodified data as it is received directly from the sensor. That is, before any offset, scalars, or data conversion operations are performed. This data is reported to allow you to detect any error or status bits that your sensor may place in the data stream.

Note 3: All of the SSI bits will be reset to zero if there is no working SSI sensor attached to the channel.

Status Word Layout

Bit 15	Bit 14	Bit 13	Bit 12	Bit 11	Bit 10	Bit 09	Bit 08	Bit 07	Bit 06	Bit 05	Bit 04	Bit 03	Bit 02	Bit 01	Bit 00
Acknowledge bit (ch 1 only)	Module Error	0	Velocity Overflow	0	Data Value Sign 0 = positive 1 = negative	Motion Direction (0=increasing, 1=decreasing)	Velocity at zero	Message Ignored	Command Error	0	Preset Value Error	Scalar Multiplier Error	Scalar Divisor Error	Constant Error	Configuration Error

- Configuration Error: Set if any of the unused bits in the configuration word are set
- Constant Error: This bit is set if the number of the SSI bits, the number of data bits, or the MSB number is outside the limits (1...32). This is also true if the (Number of Data bits + (MSB Number-1)) > the Number of the SSI Clock bits.
- Divisor Error: The Scalar Divisor is outside the expected range (1 to 32767)
- Multiplier Error: Set if the Scalar Multiplier is outside the range of (1 to 32767), or if the multiplier parameter is greater than the divisor parameter.
- Preset Value Error: Set if the preset value is outside of the range of $\pm 268,435,455$.
- Command Error: Set if any of unused bits in the command word are set, or if you try to both program the Setup Data and Apply the Preset value to a channel in one programming sequence.
- Message Ignored: Set if an attempt is made to program a channel if an error already exists on a different channel. This bit will not be set if the same channel is programmed a second time with incorrect data.
- Motion Direction: This bit will be "0" if the data value is increasing, or "1" if the data value is decreasing. The bit will remain in its last state when there is no motion.
- Data Value Sign: This bit will be "0" if the data value is positive, or "1" if the data value is negative. To use, multiply the combined data value by -1 whenever this bit is set.
- Velocity at Zero: This bit will be set if there has been no motion for the last portion of the Velocity Update Time.
- Velocity Overflow: This bit will be set if the rate of change value exceeds 2^{32} counts per second. When this occurs, the last valid value is sent to the processor.
- Module Fault: Set on EEPROM or PLD fault.
- Acknowledge Bit: Set when the NX2E4X detects that Transmit bit is set in the output registers. This bit is present only in the channel 1 status word.

Chapter 4: Output Data (Data sent from the network to the NX2E4X)

Channel	Word	Function	Range	Default
All	0	Control	See Description Below	
1	1	Configuration	See Description Below	
	2	Number of SSI Clock Bits	1 to 32	24
	3	MSB Number	1 to 32	1
	4	Number of Data Bits	1 to 28	24
	5	Scalar Multiplier	1 to Divisor	1
	6	Scalar Divisor	1 to 32767	1
	7	Upper 4 Digits Preset Value +sign	± 268,435,455	0
	8	Lower 4 Digits Preset Value		
2	9	Configuration	See Description Below	
	10	Number of SSI Clock Bits	1 to 32	24
	11	MSB Number	1 to 32	1
	12	Number of Data Bits	1 to 28	24
	13	Scalar Multiplier	1 to Divisor	1
	14	Scalar Divisor	1 to 32767	1
	15	Upper 4 Digits Preset Value +sign	± 268,435,455	0
	16	Lower 4 Digits Preset Value		
3	17	Configuration	See Description Below	
	18	Number of SSI Clock Bits	1 to 32	24
	19	MSB Number	1 to 32	1
	20	Number of Data Bits	1 to 28	24
	21	Scalar Multiplier	1 to Divisor	1
	22	Scalar Divisor	1 to 32767	1
	23	Upper 4 Digits Preset Value +sign	± 268,435,455	0
	24	Lower 4 Digits Preset Value		
4	25	Configuration	See Description Below	
	26	Number of SSI Clock Bits	1 to 32	24
	27	MSB Number	1 to 32	1
	28	Number of Data Bits	1 to 28	24
	29	Scalar Multiplier	1 to Divisor	1
	30	Scalar Divisor	1 to 32767	1
	31	Upper 4 Digits Preset Value +sign	± 268,435,455	0
	32	Lower 4 Digits Preset Value		

Note 1: The Number of SSI Clock Bits must be greater than or equal to the sum of the (MSB Number + (Number of Data Bits – 1)).

Note 2: The Preset Value is divided into two words. The upper word contains the 10,000s places while the lower word contains the 1000s, 100s, 10s, and 1s places. For example, a value of 123,456 would have 12 in the upper word and 3456 in the lower word.

Note 3: Negative Preset Values are transmitted with bit 15, the Most Significant Bit, set in the Preset Value's upper word.

Control Word

Bit 15	Bit 14	Bit 13	Bit 12	Bit 11	Bit 10	Bit 09	Bit 08	Bit 07	Bit 06	Bit 05	Bit 04	Bit 03	Bit 02	Bit 01	Bit 00
Transmit Bit (ch 1 only)	Clear Error	0	0	0	0	0	0	Program Channel 4 Setup	Program Channel 3 Setup	Program Channel 2 Setup	Program Channel 1 Setup	Apply Preset Channel 4	Apply Preset Channel 3	Apply Preset Channel 2	Apply Preset Channel 1

Configuration Word

Bit 15	Bit 14	Bit 13	Bit 12	Bit 11	Bit 10	Bit 09	Bit 08	Bit 07	Bit 06	Bit 05	Bit 04	Bit 03	Bit 02	Bit 01	Bit 00
0	0	Enable Channel LED 0 = disabled, 1 = enabled	0	0	0	Clock Frequency 00=1MHz 01=500kHz 10=250kHz 11=125kHz	SSI Data Type 0 = binary 1 = Gray Code	SSI Data Logic 0 = positive 1 =negative	0	0	0	0	Rate Update Time 0 = 160ms, 1 =24ms	0	Direction of Increasing Counts 0 = Positive, 1 = Negative

Notes

1. The Configuration Word has a default value of 0.
2. A Configuration Error will be generated if any of the Configuration Word's unused bits (1, 3, 4, 5, 10, 11, 12, 14, and 15) are set.
3. The Count Direction parameter is useful if the Data Value represents a linear position. It gives you the ability to reverse the direction of motion needed to increase the position count. Changing the direction of increasing counts changes the data value sign bit in the input register's status data. The absolute value of the data value is not affected.

This parameter will not reverse the direction of increasing counts of a rotary encoder.

4. The default clock frequency is 1MHz.
5. A Command Error will be generated if you try to both Apply the Preset and Program a channel in a single programming sequence. However, it is possible to program a channel while Applying the preset of a different channel.
6. All of the channel's setup data must be present and valid before it will be accepted during a programming cycle.
7. If a programming error exists on any of the channels, the error must be cleared before a different channel can be programmed.
8. It is possible to enable or disable the four status LEDs. The channels are always are enabled, and will function normally, even if the LED is disabled. By default, only the channel 1 LED is enabled.

Programming Sequence

1. The controller's program writes the data into the output registers.
2. The controller's program then sets the Transmit Bit.
3. When the module detects the 0 to 1 transition of the transmit bit, it will respond by setting any error bits in the channel status words, and the Acknowledge bit, which is bit 15 in the channel 1 status word.
4. When the controller's program sees that the Acknowledge bit is set, it will examine any error bits, and then reset the Transmit Bit.
5. The module will reset the Acknowledge bit.
6. The programming sequence is now complete.

EEPROM Parameter Memory

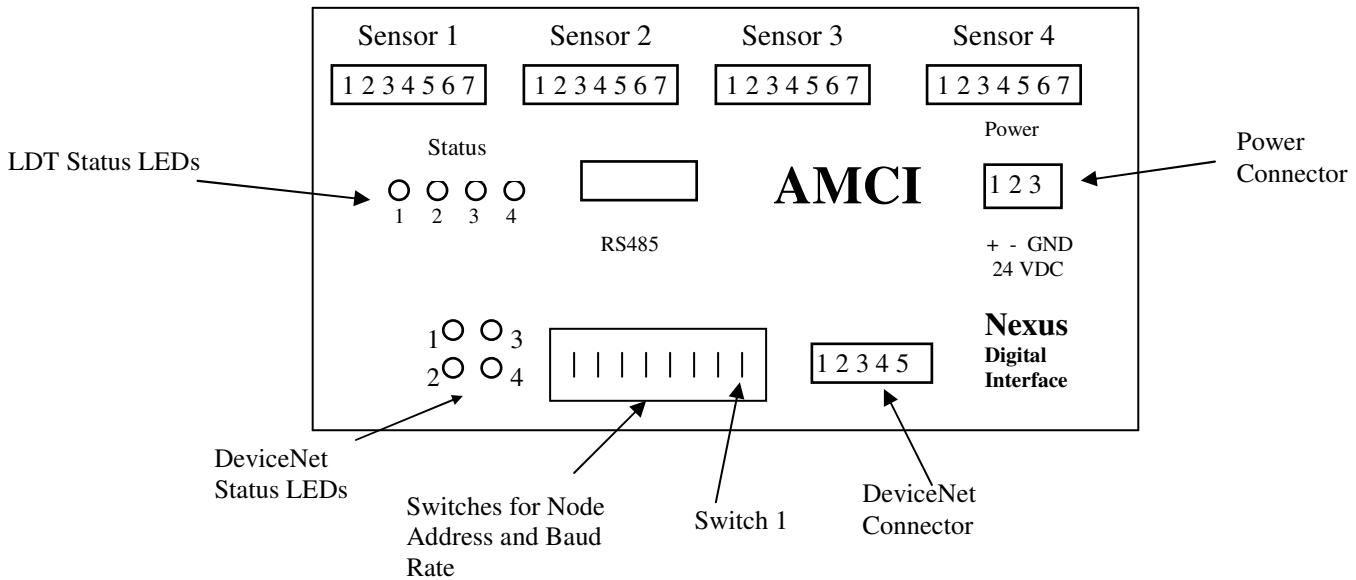
Parameter values are stored in a non-volatile EEPROM memory. This memory type can store parameter values in the absence of power for over twenty years, but you can only write to it a limited number of times before it will be damaged. The EEPROM that AMCI uses is guaranteed for a minimum of 100,000 write cycles.



Every time the Apply Preset command is issued, the NX2E4X calculates and stores an offset value in its EEPROM memory. If your application requires you to continuously Apply the Preset Value, consider performing the preset operation in your ladder logic program.

Chapter 5: Network Connections

NX2E4D Hardware Overview



DeviceNet Connector

Pin Number	Function	Standard Wire Color
1	+24Vdc	Red
2	Can High	White
3	Shields	Bare
4	Can Low	Blue
5	Common	Black

Note: The NX2E4D will draw 16mA @ 24Vdc of current from the DeviceNet Network.

Node Address and Baud Rate Selection

The NX2E4D uses eight DIP switches to select the Node Address and the Baud Rate. Switches 1 and 2 set the Baud rate and switches 3 to 8 set the node, with switch 8 being the least significant bit. The following table shows the possible switch setting combinations.

The DIP switch package is mounted so that the numbers are upside down. However, “1” or “ON” is still in the up position and “0” or “OFF” is in the down position.

The state of the switch settings is only taken into account at power up

Baud Rate	Switches 1 & 2 1 2
125k	0 0
250k	0 1
500k	1 0
Reserved	1 1

Node Address	Switches 3 to 8 3 4 5 6 7 8
0	0 0 0 0 0 0
1	0 0 0 0 0 1
2	0 0 0 0 1 0
61	1 1 1 1 0 1
62	1 1 1 1 1 0
63	1 1 1 1 1 1

Example: For a Baud Rate = 250K and the Node Address = 5, switches 2, 6, and 8 would be ON, up towards the top of the module and switches 1, 3, 4, 5, and 7 would be OFF, down towards the bottom of the module.

DeviceNet Status LEDs

The following table describes the function of the four network status LEDs.

LED Number	Name	LED Pattern	Description
1	Module Network Status	Steady Off Steady Red Steady Green Flashing Red	No Power Unrecoverable Fault Device Operational Minor Fault
2	Network Status	Steady Off Steady Red Steady Green Flashing Red Flashing Green	Not Powered / Not On Line Critical link failure Link OK, On Line, Connected Connection Time Out On Line not connected
3	Reserved		
4	Reserved		

Network Update Time

The NX2E4D has a minimum network update time of 5ms.

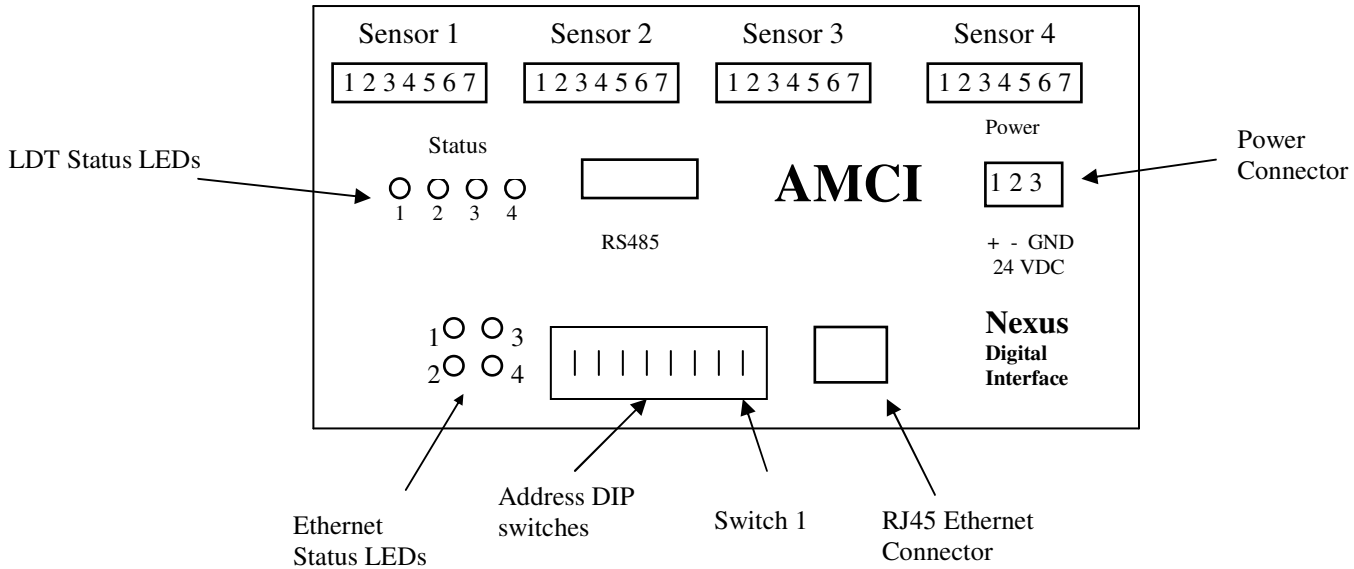
Adding the NX2E4D to your network

Before the NX2E4D can be attached to a network, it must be added to the RSNetWorx for DeviceNet software. The EDS and icon files are available in the *Tech Library >> Driver Files* section of our website, www.amci.com. The following procedure to add the EDS file to RSNetWorx assumes that you have already downloaded these files and un-zipped them.

1. With the power off, use the dip switches on the front of the NX2E4D to set the node address and the baud rate.
2. Start RSNetWorx for DeviceNet.
3. In the RSNetWorx program, click on **Tools** in the menu bar.
4. Click on **EDS Wizard...** from the pull down menu that appears.
5. Click on **Next>** in the window that appears.
6. Select **Register an EDS file(s)** and click on **Next>**.
7. Select **Register and EDS file**.
8. Click on **Choose File...** and navigate to the folder where you placed the un-zipped EDS and icon files.
9. Double click on **NX2E4D_r02.eds** file.
10. Click on **Next>**.
11. Click on **NX2E4D_r02.eds** file so that it is highlighted.
12. Click on **Next>** to assign an icon to the device.
13. Click on the NX2E4D and then click on **Change icon...** to select the icon for the Nexus unit. You can choose one of the built in icons from Rockwell Automation or click on the **Browse...** button and select the **NX2E4D.ico** icon file.
14. Click on **Next>** and then click on **Finish** to complete the installation of the AMCI NX2E4D EDS file to the RSNetWorx system.

Once the EDS file is added to your system, add the NX2E4D to your network as you would any other device, including adding it to the scanlist configuration of the scanner module.

NX2E4E Hardware Information



Power Up Delay

There is an eight second delay between power up and when the NX2E4X begins to communicate with the network.



See Chapter 6 starting on page 30 for instructions on changing the IP address.

Ethernet Status LEDs

LED Number	Name	LED Pattern	Function
1	Network Status	Steady Off Steady Green Flashing Green Flashing Red Steady Red Flashing Green/Red	The module has no power or on IP address has been assigned. The module has at least one established Ethernet/IP connection. There are no Ethernet/IP connections established to the module One or more of the connections in which this module is the target has timed out The module has detected that its IP address is already in use The module is performing a power on self test
2	Module Status	Steady Off Steady Green Flashing Green Flashing Red Steady Red Flashing Green/Red	No Power. The module is operating correctly. The module has not been initialized. A minor recoverable fault has been detected. A major internal error has been detected. The module is performing a power on self test.
3	Activity LED	Flashing green or solid green	Indicates that packets are being transmitted over the network.
4	Link		This LED indicates that the module is connected to an Ethernet network

Setup Example

AMCI NX2E4X to Rockwell Automation 1756-ENET/B module

1. With power removed, use the dip switches to set the address of the NX2E4X.
2. Open an existing or create a new ControlLogix program.
3. From the project tree, right click on I/O configuration and select New Module.
4. From the Module Type list that appears, select 1756-ENET/B, the 1756 Ethernet Bridge module.
5. Type a name for the Bridge module, which must begin with a letter, in the Name field.
6. Enter the slot number where the 1756-ENET/B module is located in the ControlLogix rack.
7. In the Address/Host Name field, select the IP Address and enter the address 192.168.000.XXX where XXX can be a unique number between 1 and 254.
8. Click the Finish button.
9. From the project tree, right click on the 1756-ENET/B module and select New Module.
10. Select ETHERNET-MODULE Generic Ethernet Module from the list that appears and click on OK.
11. In the module properties that appear, enter the following parameters.

Name: **Your Choice** (must begin with a letter)

Comm Format: **Data-INT** (must be Data-INT)

IP Address: **192.168.000.XXX** where XXX is the number entered on the DIP switches

	Assembly Instance	Size
Input	100	28
Output	150	33
Configuration	110	0

12. Click on Next.
13. Select the RPI time, minimum = 3ms.
14. Click on Finish.
15. Save and download the program to the ControlLogix rack.
16. While online with the PLC, right click on the Ethernet Bridge module and select Properties.

Click on the Port Configuration tab and modify the following fields.

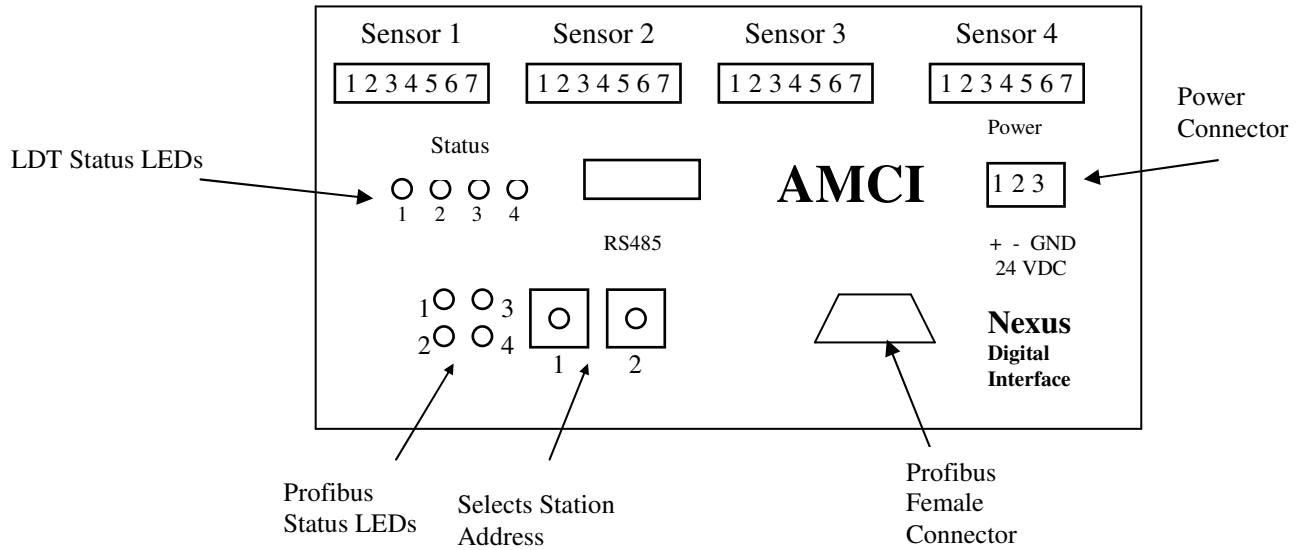
Enable Bootp: **Unselected** (This will allow the data to be manually entered in the IP address and Domain Name fields.)

IP Address: **192.168.000.XXX** (must be the same as step 7 above)

Subnet Mask: **255.255.255.0**

The Gateway Address, Domain Name, Primary DNS Server Address, and Secondary DNS Server Addresses all remain unchanged.

NX2E4P Hardware Overview



Profibus Status LEDs

LED Number	LED Pattern	Function
1	Red Off	Module is Offline and no data exchange is possible The module is Online
2	Green Off	Module is Online and data exchange is possible The module is Off line
3	Flashing Red 1Hz Flashing Red 2Hz Flashing Red 4Hz Off	Error in configuration: IN and/or OUT length set during initialization of the module is not equal to the length set during the configuration of the network Error in User Parameter data: The length/contents of the user parameter data set during initialization of the module is not equal to the length/contents set during configuration of the network. Error in initialization of the Profibus communication ASIC. No diagnostic present
4	Off	Not Used

Profibus Connector

The Nexus module uses a 9 pin female D-sub connector to communicate with the Profibus network.

Network Baud Rate

The NX2E4P supports the following network baud rates

9.6 kbits/sec, 19.2 kbits/sec, 93.75 kbits/sec, 187.5 kbits/sec, 500 kbits/sec, 1.5 Mbits/sec, 3 Mbits/sec, 6 Mbits/sec, and 12 Mbits/sec

Station Address Selection

The Nexus module has two rotary switches used to set the module's address on the network. Any station from 0 to 99 can be selected. Switch 1 sets the one digit and switch 2 sets the 10s digit of the address. For example, if the Nexus is to be installed at station 46, switch 1 would be set to 6, and switch 2 would be set to 4. Note, changing the station address only takes affect at power up. Changing the address while power is applied to the Nexus module will generate a minor fault.

Siemens S7 Installation

1. Select the Universal Module under the Anybus Driver.
2. For the Input Type, select the starting address and sum up the number of available input options until you have reached 28 sixteen bit words (56 bytes).
3. For the Output Type, select the starting address and sum up the number of available output options until you have reached 33 sixteen bit words (66 bytes).

Quick Start Guide

AMCI Nexus to SST-PFB-SLC Profibus interface module

1. If it is not already present, install the SST-PFB-SLC module in the SLC rack and configure the rack (the ID code is 13635) for the module.
2. Place the PLC in program mode.
3. Connect a serial cable from the computer's COM port to the RS232 port of the SST-PFB-SLC module.
4. With the power off, use the rotary switches on the Nexus unit to select the desired station address. The left switch sets the 1s digit and the right switch sets the 10s digit of the station address.
5. Attach the Nexus unit to the Profibus network.
6. Apply power to the Nexus unit.
7. Start the SST Profibus Configuration software.
8. Either create a new or open an existing network.
9. If it has not already present, register the Nexus unit's GSD file, **AnyBPRfB.GSD**. This file is available for download from our website, www.AMCI.com.

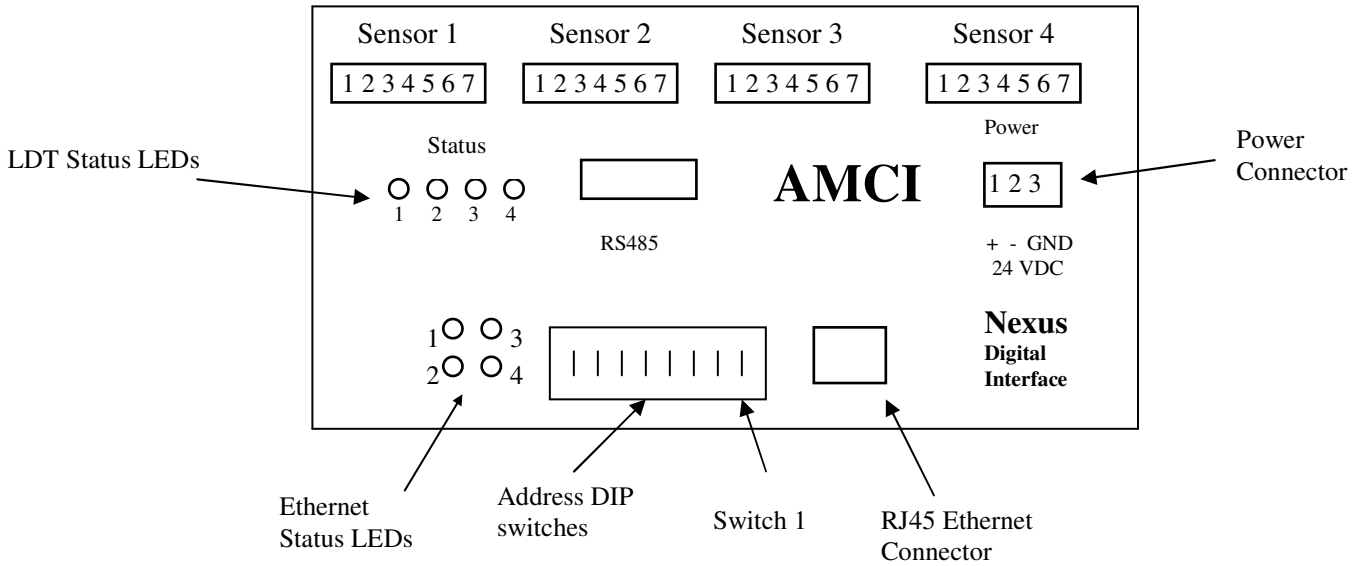
Click on Library in the toolbar and then select Add GSD file. Choose the directory where the GSD file is located, and then select the file. When registered this module will appear under Slaves as:

HMS Fieldbus Systems AB
ANYBUS-S PDP

10. If SST-PBF-SLC module is not already present, click on Masters. Click and drag the Master (Rev 1.4) into the network. Right click on it and configure it according to your system's requirements.

11. Under slaves, click and drag the ANYBUS-S PDP module into the network. The setup window will appear.
 - Under the **General** tab, set the station number to match the station number set by the rotary switches on the Nexus unit.
 - Click on the **Modules** tab and then click on Add. The NX2E4P must be set for 28 input words and 33 output words. If a different number of words is programmed, Network LED 3 will flash indicating an Error in the Configuration. The input words can be located in either the Input Image table or in the M1 file, however, all 28 input words must be located in one file. The 33 output words must be located in the MO file.
 - Click on Input 32 Byte (16 word) and then on OK.
 - Click on the **SLC Address** tab and then select the Input Type, either I or M1, and the offset value, that is where in the I or M1 table the data begins. It is important not to leave gaps between an existing Profibus module and the data used by the Nexus unit.
 - Again click on the **Modules** tab and click on Add.
 - Click on Input 16 Byte (8 word) and then on OK.
 - Click on the SLC Address tab and then select the Input Type to be the same as was selected above. Set the offset value to the value assigned to the 32 byte parameter plus 16.
 - Again click on the **Modules** tab and click on Add.
 - Click on Input 8 Byte (4 word) and then on OK.
 - Click on the **SLC Address** tab and then select the Input Type to be the same as was selected above. Set the offset value to the value assigned to the 16 byte value plus 8.
 - Again click on the **Modules** tab and click on Add.
 - Click on Output 64 Byte (32 word) and then on OK.
 - Click on the **SLC Address** tab and then select the Output Type to be MO and then select an offset value. As with the input data, it is important not to leave gaps between an existing Profibus module and the data used by the Nexus unit.
 - Again click on the **Modules** tab and click on Add.
 - Click on Output 2 Byte (1 word) and then on OK.
 - Click on the **SLC Address** tab and then select the Output Type to be MO. Set the offset value assigned to the 64 byte value plus 32.
 - Click on OK to accept.
12. Save the network file.
13. Right click on the Master Module and select Connect from the menu that appears.
14. Click on Yes if asked to retain the configuration.
15. Again right click on the Master Module and then select Load Configuration from the menu that appears.
16. Place the PLC in Run mode.

NX2E4T (Modbus TCP IP) Hardware Overview



See Chapter 6 starting on page 30 for instructions on changing the IP address.

1.
Modbus TCP/IP Ethernet Status LEDs

LED Number	Name	LED Pattern	Function
1	Network Status	Flashing Green with 2 seconds interval	This LED indicates the number of established Modbus/TCP connections to the module. The number of connections is equal to the number of flashes on this LED.
		Flashing Green/Red	Power-on self test
2	Module Status	Steady Off	No Power
		Steady Green	The module is operating correctly
		Flashing Green	The module has not been initialized
		Flashing Red	Minor recoverable fault
		Steady Red	Major internal error
3	Activity	Flashing Green/Red	Power-on self test
		Flashing Green	This LED flashes green each time a packet is received or transmitted
4	Link	Steady Green	This LED indicates that the module is connected to an Ethernet network

Setup Example

AMCI NX2E4T to Group Schneider's 140 NOE 771 01 module

This setup example assumes that the 140 NOE 771 01 module has already been installed in the PLC system.

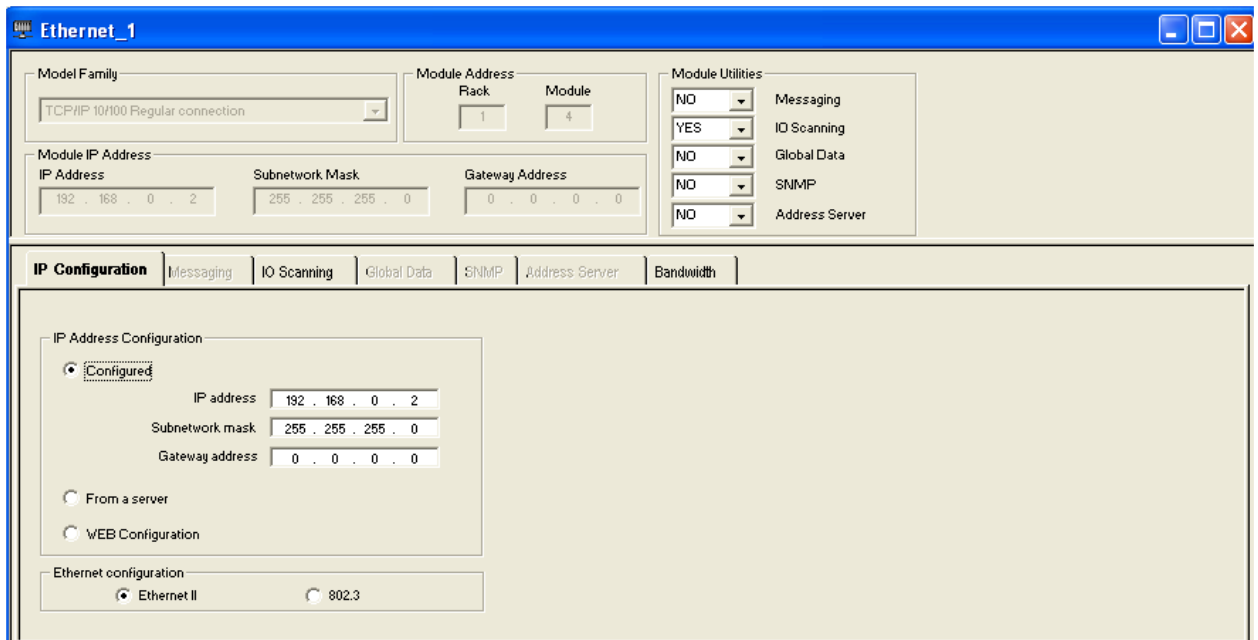
1. With power removed, use the dip switches to set the IP address of the NX2E4T.
2. Open an existing or create a new Unity program.
3. Open the Project Browser and click on the symbol next to Communication.
4. Click on the symbol next to Networks to show the available networks.
5. If you are creating a new network for the NX2E4T, right click on Networks and select New Network from the window that appears. If you are adding the NX2E4T to an existing network, ignore this step.

Click on the down arrow to the right of the *List of available Networks* field and select *Ethernet* from the drop down menu that appears.

Type the new networks name in the Change Name field

Click on OK to create the new network.

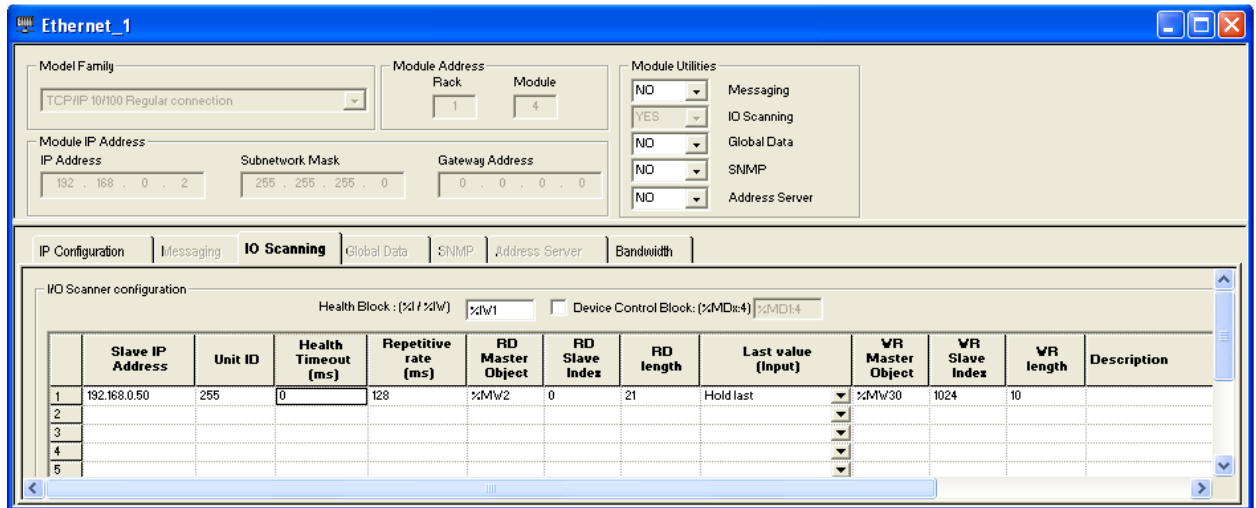
6. Right click on the existing network and select open from the window that appears. The following window will appear.



7. Enter the following parameters.

Module Family:	TCP/IP 10/100 Regular Connection
Module Address:	Location of the 140 NOE 771 01 module
IP Address:	The TCP/IP address of the 140 NOE 771 01 module
Subnet Mask:	255.255.255.000

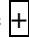
- Click on the I/O scanning tab. The following screen will appear.



- Enter the following parameters.

Slave IP Address:	IP Address of the NX2E4T module.
Unit ID:	Not necessary for the NX2E4T module. The default value of 255 can remain.
Health Timeout:	Timeout value measured in ms. Can be any value for the NX2E4T module
Repetitive Rate:	Update time of the NX2E4T in ms. A value of zero will result in the fastest transfer of data between the NX2E4T and the NOE module. A value other than zero must be in a multiple of 16.
RD Master Object.	First destination address register where the data transmitted from the NX2E4T will be located.
RD Slave Index:	Must be 0.
RD Length:	Must be set to 28. (The NX2E4T uses twenty eight 16 bit input words)
Last Value (input):	Status of the input registers, either last state or zero, in the event of an error. The data from the NX2E4T will remain in the registers if communications are lost.
WR Master Object:	First source address register location where the data sent from the PLC to the NX2E4T is located.
WR Slave Index:	<u>Must</u> be set to 1024
WR Length:	Must be set to 33 (The NX2E4T uses thirty three 16 bit output words)
Description:	Your choice of text or leave blank.

- Close the network.
- Click on Yes when asked “Do you want to save your modifications?”
- Click on Yes when asked “Do you Confirm the Modification?”
- On the Project Tree, expand the I/O configuration by clicking on the symbol to the left of Configuration.
- Further expand the I/O configuration by clicking on symbol to the left of the Local Bus.
- Continue to expand the I/O configuration by clicking on the symbol to the left of the Local Quantum Drop.
- Continue to expand the I/O configuration by clicking on symbol to the left of the rack that contains the 140 NOE 771 01 module.

17. Expand the networks attached to the NOE module by clicking on the  symbol to the left of the 140 NOE 771 01 module.
18. Right click on the network associated with the 140 NOE 771 01 module and select OPEN from the window that appears.
19. Click on the down arrow on the field just below where it asks you to “Please choose a Network.” Select the network that was created above.
20. Save and build the project, and download it to the PLC. If the NX2E4T is powered up and attached to the network, network LED 3 (the upper right network status LED) should now be flashing and network LED 4 (the lower right network status LED) should now be on solid.

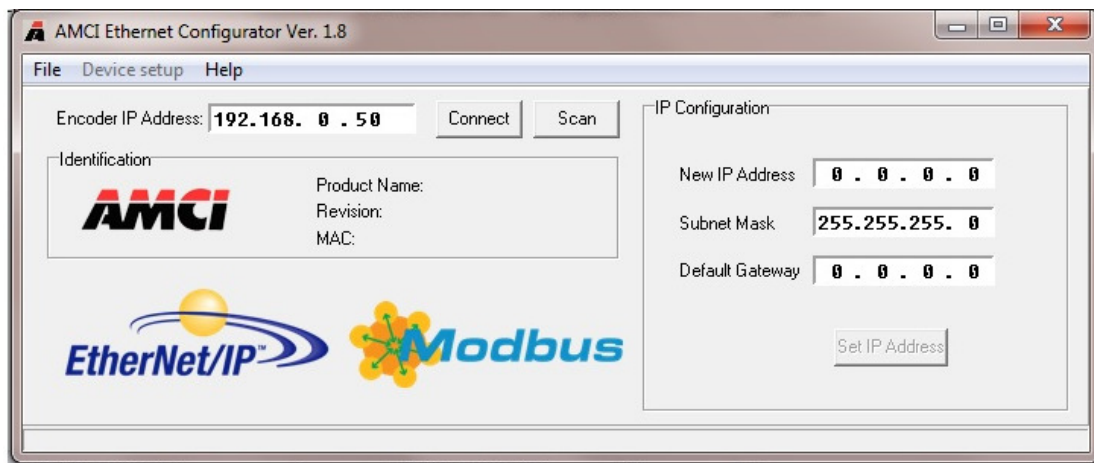
Chapter 6: Setting IP Address of the NX2E4E and NX2E4T

Setting the Ethernet IP Address of an AMCI Nexus unit using AMCI software

1. This software will only work with AMCI Ethernet units that have a serial number of 02110001 or above. A crossover cable will be required to connect units with serial numbers below 07140001 directly, without a switch, to your PC.
2. Download, extract, and run the **AMCI Ethernet Configuration software** from the following page of AMCI’s website.

<https://www.amci.com/industrial-automation-support/software/>

The following window will open.



3. The Nexus units ship with a default IP address of 192.168.0.50, where the 50 portion of the address is set by the dip switches. You can use this address, or set all of the dip switches to the ON, up, position if you want to use a previously programmed IP address.
4. Set the Ethernet Port of your PC to be on the same network as the current address IP address of your AMCI Nexus unit. It may be necessary to disable your PC’s firewall.
5. Enter the AMCI Ethernet unit’s current IP address in the “Encoder IP Address” field.
6. Click on Connect. The button will change from Connect to Disconnect and the lower left hand portion of the window will change from “Idle...” to “Connected to: XXX.XXX.XXX.XXX.” The device type and MAC ID will also appear in the Identification field.

7. Enter the new IP address, the subnet mask, and the default gateway in the IP Configuration field. The Default Gateway is required and, unless you have an address that you use for the default gateway, we suggest setting it to the address of the host controller.
8. Click the Set IP Address button. An “IP configuration written successfully” window will be displayed. Click on OK to close this window.
9. Click on Disconnect.
10. Remove power from the Nexus unit. The Nexus unit will not use the new IP address until power has been cycled.
11. **Set all of the switches to the ON (up) position.** This will prevent the Nexus unit from outputting BOOTP requests at power up and lock the new IP address in the Nexus unit’s memory.

Using a DHCP/BOOTP Server to change the IP Address of an AMCI Nexus unit

1. Remove power from the Nexus Unit.
2. Set the unit’s DIP switches to the OFF (Down) position. This will set the unit’s IP address to 0000 0000.
3. Connect your PC to the Ethernet network. A crossover cable will be required to connect units with serial numbers below 07140001 directly, without a switch, to your PC.
4. Start your BOOTP program.
5. Click on **Tools** in toolbar and select **Network Settings**. Verify that the Subnet Mask and the Gateway Address match those of your network. If necessary, change the values to match your network.
6. Click on OK to close the Network Settings window.
7. Click on **New** in the **Relation List**. (Do not click on **Enable BOOTP**, the Ethernet Nexus units do not support this function.) The Relation List is located in the lower pane of the BOOTP window.
8. Every Ethernet device is assigned its own MAC ID value. This value is located on a label on the side of the Nexus unit. Enter this value in the Ethernet Address (MAC) field.
9. Enter the desired IP address in the IP Address field and click on OK.
10. Apply power to the Nexus unit. The IP Address of a Nexus unit can only be changed at power up.



The Nexus unit sends out several BOOTP requests for the first thirty seconds after power up. It will use the IP address currently stored in its memory if it does not detect a BOOTP server during this time.

11. Once power has been restored, the Nexus unit should be listed at the top of the Request History panel with its new IP address.
12. The IP address has now been changed and will remain at this new value until the next time the Nexus unit detects a BOOTP server at power up that supplies it with a new IP address.
13. Remove power from the Nexus unit.

If your Nexus unit has a serial number above 0211001, set all of the switches to the up, ON, position. This will lock the programmed IP address in the Nexus unit’s memory and prevent the Nexus unit from outputting BOOTP requests at power up.

14. Close the BOOTP server program without clicking on the Disable BOOTP/DHCP program. The AMCI Nexus units do not support the Disable BOOTP/DHCP function. Click on NO when asked if you want to save the changes.

Ethernet Address Selection using the DIP switches

The NX2E4E uses an IP address of 192.168.000.XXX where “XXX” can be any number between 1 and 254. Eight dip switches on the NX2E4E are used to set the “XXX” portion of the address. Switch 8, the left most switch, is the least significant bit and switch 1, the right most switch, is the most significant bit. The address is programmed using the following procedure.

1. Determine the address of the NX2E4E. It can be any unused address between 1 and 254.
2. Convert the address to a binary number. A value of 50 will be 0011 0010.
3. Enter the address on the dip switches. Continuing the above example, switches 8, 6, 5, 2 and 1 will be off (down) and switches 7, 4, and 3 will be on (up).

Chapter 7: Manual Revision History

Revision 0.0 was released on 7/1/2002 and was the initial release of the specifications.

Revision 1.0 was released on 2/2/2004 and added DeviceNet and Profibus configurations to the existing Ethernet specifications. A table showing common scalar multiplier and divisor values was also added to the specifications.

Revision 2.0 was released on 8/29/2008. This revision added mounting drawings and dimensions, descriptions of all of the programmable features, and adding the unit to a Modbus TCP/IP network.

Revision 3.0 was released on 6/3/2016. This revision added a section of Siemens S7 installation, and a chapter on the various methods of changing the IP address of NX2E4E and NX2A4T units.

File: NX2E4X_specifications.doc
date: 6/3/2016