

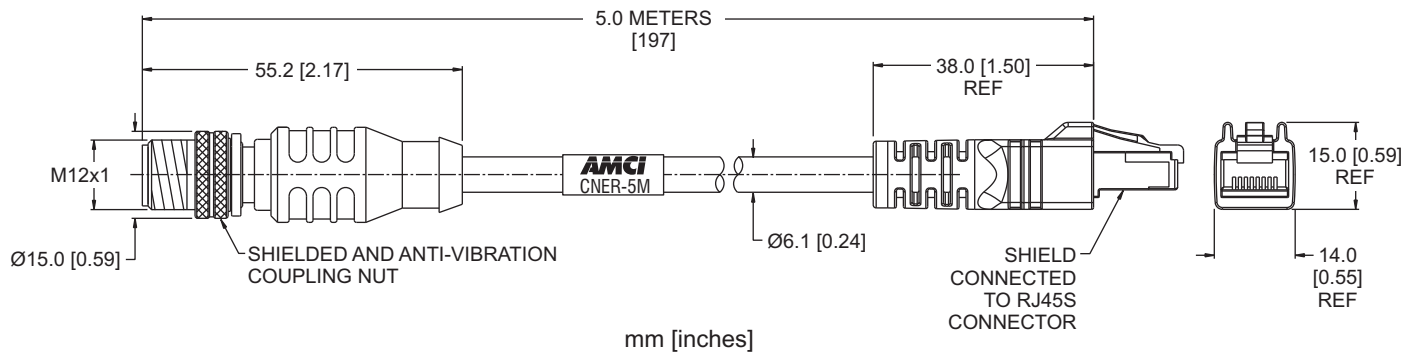
## CNER-5M Specification Sheet

SHEET # 940-2C210

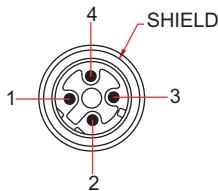
### DESCRIPTION

The CNER-5M is a 5 meter (≈197 inch) cable with a molded M12 connector at one end and molded RJ45S connector the other. The M12 connector is an D-coded, 4 pin, male connector. This cable mates with the 4 pin network connector on AMCI products, such as the NR25 and NR60 Networked Encoders or the SMD23E2 Integrated Stepper product line. The M12 connector is IP67 rated when properly installed. The RJ45S connector is IP20 rated.

### DIMENSIONAL DRAWING



#### M12 End View



Pin 1: White/Orange (+Tx)  
Pin 2: White/Green (+Rx)  
Pin 3: Orange (-Tx)  
Pin 4: Green (-Rx)

#### RJ45S End View



Pin 1: White/Orange (+Tx)  
Pin 2: Orange (-Tx)  
Pin 3: White/Green (+Rx)  
Pin 6: Green (Rx)  
All Others: N.C.

### TECHNICAL DATA

SPECIFICATIONS	
Contact Carrier Material (RJ45S)	Polycarbonate
Molded Head Material (RJ45S)	Black TPU
Contact Material/Plating (RJ45S)	Bronze/Gold
Contact Carrier Material (M12)	Black TPU
Molded Head Material (M12)	Blue-Gray TPU
Contact Material/Plating (M12)	Brass/Gold
Coupling Nut Material/Plating (M12)	Brass/Nickel
Outer Cable Jacket Material	Teal TPE
Conductor Insulation Material	HDPE

SPECIFICATIONS	
# of Conductors	2UTPx24 AWG Stranded
Shielding	Al Foil & Tinned Copper Braid
Rated Current [A]	1.5 A
Rated Voltage [V]	42 V
Temperature Range	-40°C to +80°C (-40°F to +176°F)
Protection Class	M12/IP67, RJ45S/IP20