

R11 Mechanical Drawings

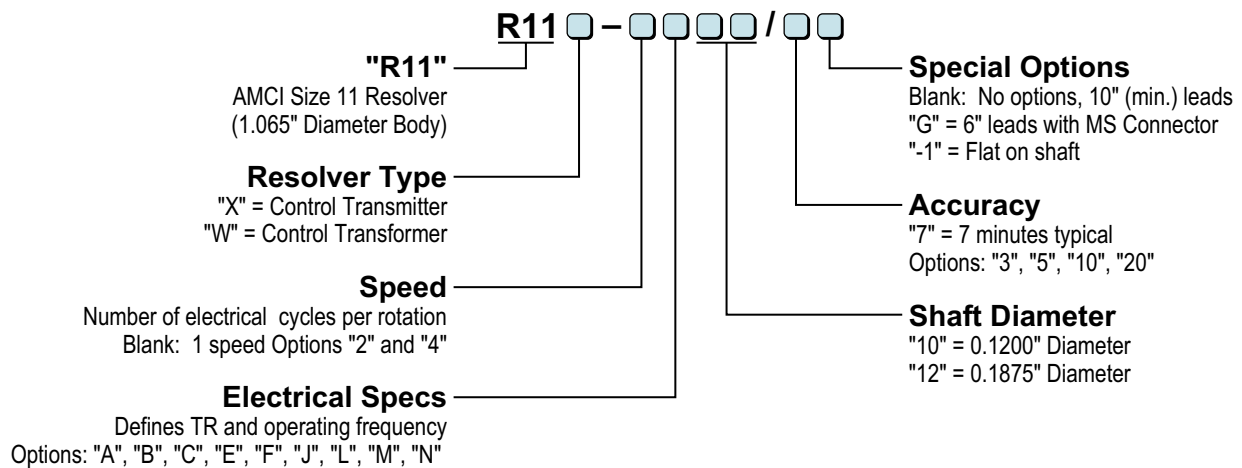
SHEET # 940-2T710

DESCRIPTION

This document contains the mechanical drawings for all R11 resolvers currently manufactured by AMCI. It was last modified October 25, 2006. This sheet is reviewed whenever a new R11 resolver is designed and it is updated when necessary.

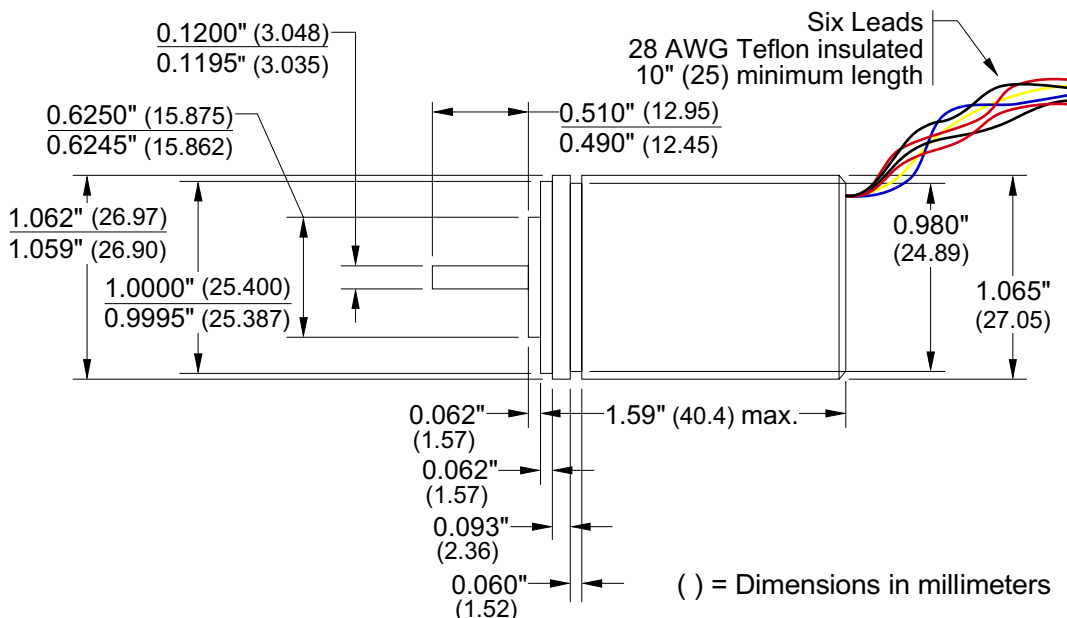
A breakout of AMCI's R11 part number system is given below. If your resolver's part number can be found in the part number system, then the dimensions given in this sheet are valid for your resolver. If you have any questions or concerns, feel free to contact AMCI.

R11 PART NUMBERING SYSTEM



DIMENSIONAL DRAWING:

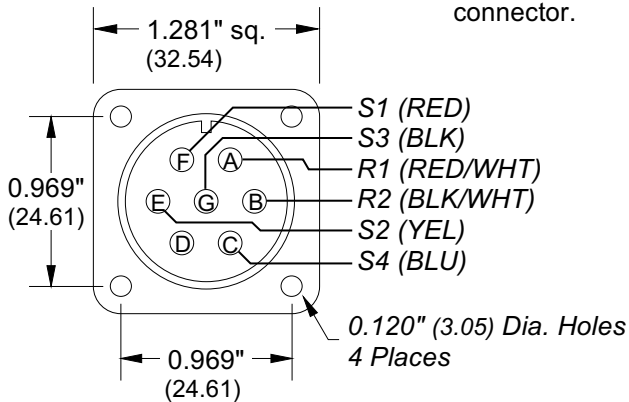
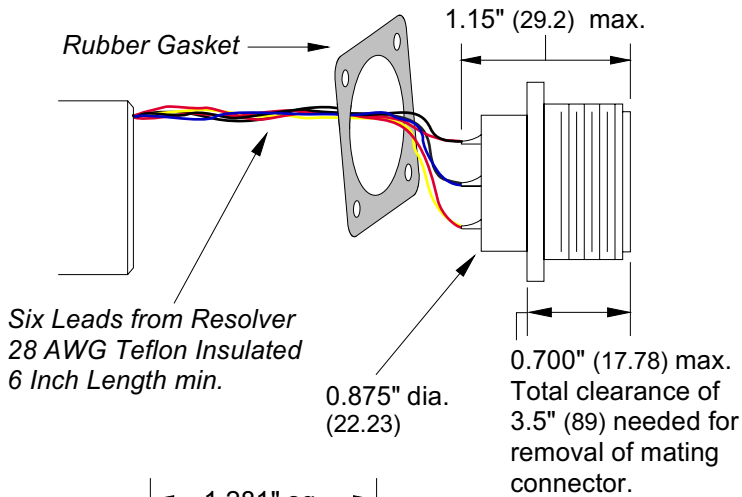
Standard 0.1200" shaft (10), no MS-16 Connector.



R11 Mechanical Drawings

OPTIONAL CONNECTOR:

**MS Connector with 6" Leads
(Special Option "G")**

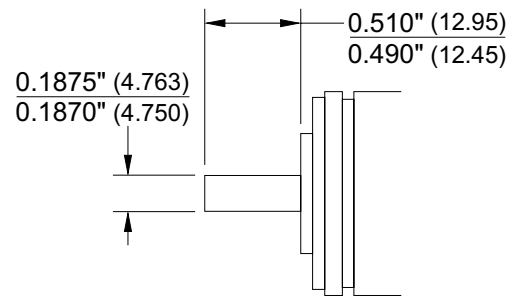


() = Dimensions in millimeters

Military equivalent part number of the MS connector is MS3102E16S-1P. It is the standard connector used by AMCI in our single turn HT and H25 lines of resolver transducers. A mating connector (Military equivalent # MS3106A16S-1S) can be ordered from AMCI using our part number MS-16.

ALTERNATE SHAFT:

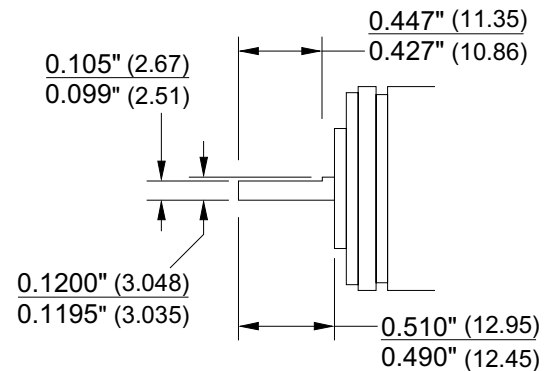
**0.1875" shaft
(Shaft Diameter "12")**



() = Dimensions in millimeters

ALTERNATE SHAFT DETAIL:

**Flat on 0.1200" shaft
(Special Option: "-1")**



() = Dimensions in millimeters

FOR MORE INFORMATION

If you need more information on AMCI's R11 resolvers use these three resources:

- * If you have internet access, check our website at <http://www.amci.com>. We've worked hard to make our site the repository of information you need to specify and use AMCI products. New product news, product specifications, compatibility tables, application notes, and PDF manuals are all available 24 hours a day.
- * You can also call AMCI for sales or technical support at (860) 585-1254 from 8AM to 5PM EST, Monday through Friday. An applications engineer will be available to assist you.
- * Finally, you can e-mail us at sales@amci.com or techsupport@amci.com.